



# ALLFUEL

GENERATION 2 PUMP INSERTS



## AN INNOVATION THAT'S CHANGING THE GAME.

With increased regulations and growing demands, you need more and more from your pump systems. ALLFUEL Generation 2 Pump Inserts deliver efficient performance and can be removed or installed in a fraction of the time. Maintaining peak system performance has never been easier.

## HOW TO KEEP INCREASED REGULATIONS FROM BECOMING INCREASED DOWNTIME.

With lower sulfur levels being mandated in marine gas oil, pumps are being forced to operate with lower lubricity. And lower lubricity could cause increased friction and wear which could possibly lead to more pump seizures.

Now more than ever you need a quicker way to upgrade, maintain and replace your pumps.

DESIGNED TO BE MAINTAINED,  
REPAIRED OR REPLACED QUICKLY.  
ENGINEERED TO ENSURE IT RARELY HAS TO BE.



**ONE-PIECE INSERT UNIT DESIGNED  
TO BE INSTALLED OR REMOVED  
IN 1/3 OF THE TIME.**

Shutting down your pumps means shutting down your profits. With its innovative design, ALLFUEL Generation 2 Pump Inserts are designed to keep downtime to a minimum.

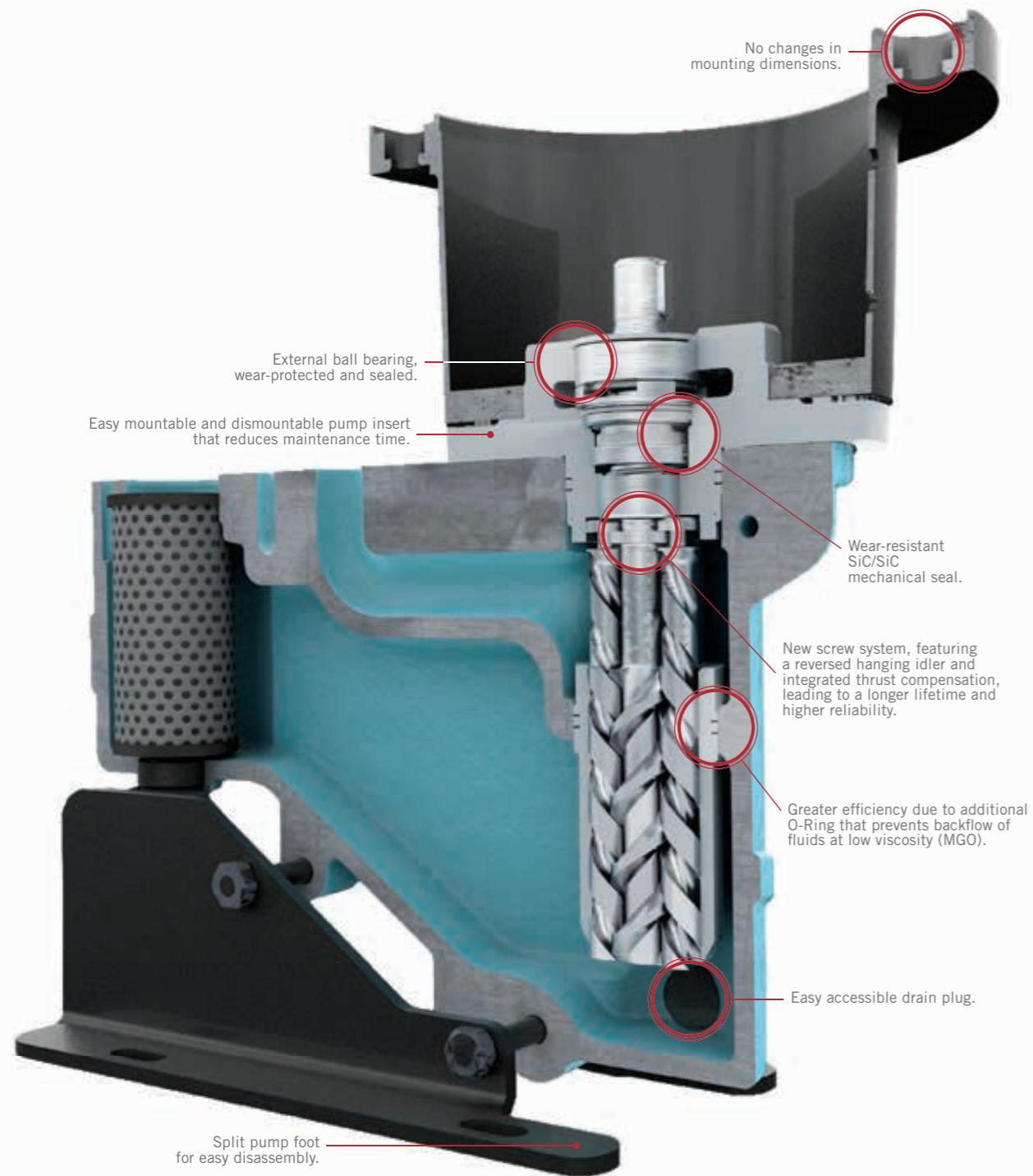
## ENGINEERED TO EXCEED EXPECTATIONS.

In addition to its easy installation, we've designed our pump insert to deliver better performance, increased efficiency and improved compatibility:

- › Innovative, compact, single-piece liner.
- › Ball bearings located outside the mediums area.
- › Spindles supported by an innovative hanging idler design.
- › One ball bearing design and one mechanical seal for all pump sizes.
- › Closed housing at the base.

## IT'S WHAT'S INSIDE THAT COUNTS.

ALLFUEL Generation 2 Pump Inserts combine compatibility and durability with game-changing ease of installation to significantly reduce downtime.



## GENERATION 2 PUMP INSERT FEATURES

The ALLFUEL Generation 2 Pump Insert is designed to deliver better performance, increased efficiency and improved compatibility:

- › New insert unit design allows liner to be removed in one piece for easier and faster repairs or maintenance.
- › Every size uses the same type of bearing and mechanical seal, which means more simplicity and less spare parts.
- › Generation 2 Pump Inserts will fit existing SPF or ALLFUEL Generation 1 housing.
- › Spindles supported by next generation hanging idler design means no need for special hardened stopper plug in housing.
- › New pump housing is closed at the bottom with two drain holes on each side for better accessibility.
- › Redesigned pump foot allows you to dismantle on site.
- › Less wear and better protection due to external anti-friction bearing with seal disks.

### NOT SURE WHICH GENERATION YOU HAVE INSTALLED?

If the material code on your pump or its documentation is W196 or W197 and you're using the pump for low sulfur fluids, we recommend upgrading your pump with a new insert unit engineered to handle the challenges that low sulfur fluid presents. Upgrading to an easy-to-install ALLFUEL Generation 2 Pump Insert will save you time and money. If your pump's code is W198, W199 or W228, you have the right type of pump to meet the demands of low sulfur fluid.

## PERFORMANCE DATA

Capacity	Q	up to	112	l/min
Inlet pressure	$p_s$	up to	*)7 /**)25	bar
Discharge pressure	$p_d$	up to	40	bar
Differential pressure	$p_{diff}$	up to	40	bar
Viscosity	$\nu$	up to	750/3000	mm <sup>2</sup> /s
Fluid temperature	t	up to	150	°C
Speed	n	up to	3600	1/min

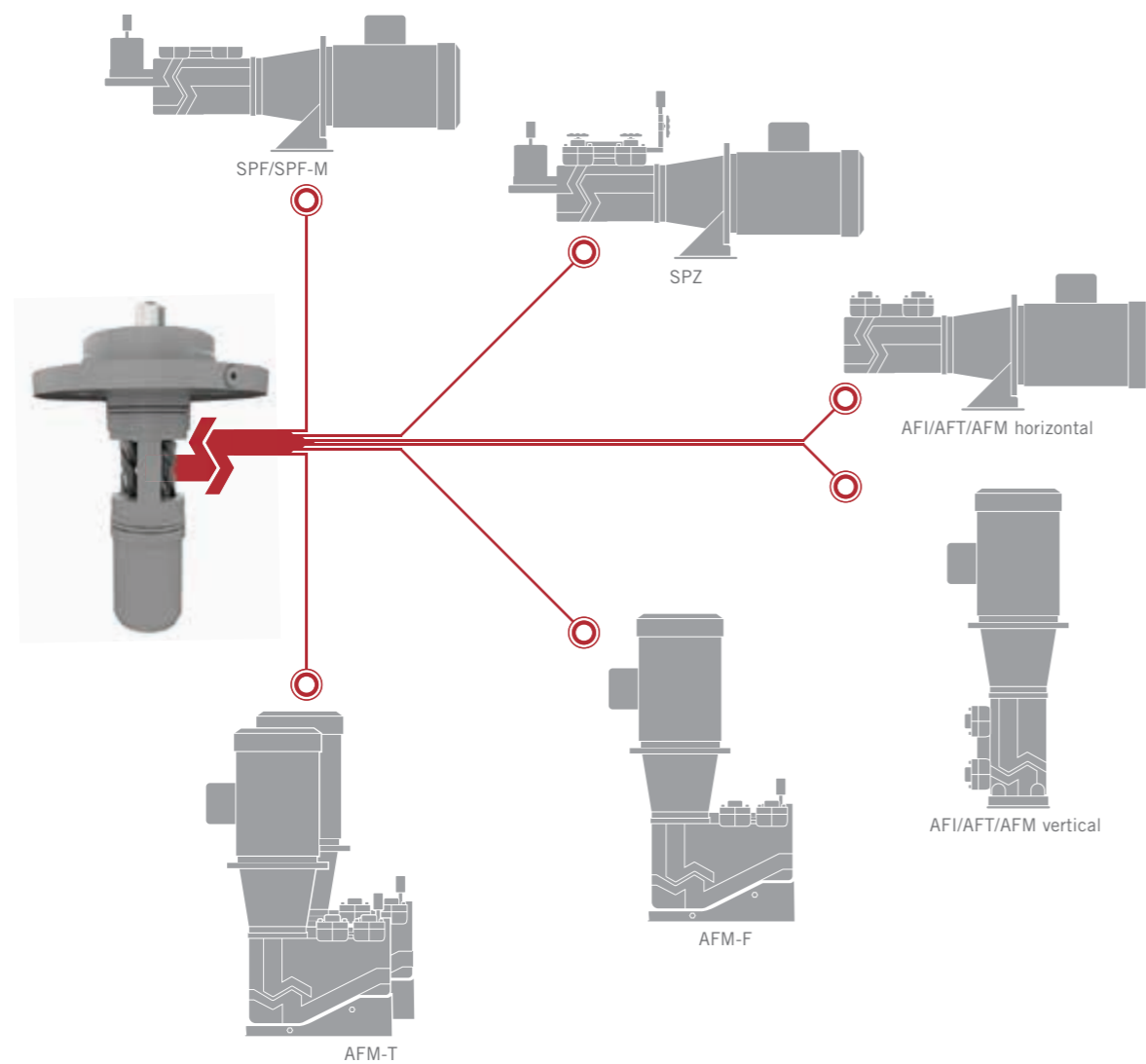
\*) AFM-T / F vis:750 mm<sup>2</sup>/s \*\*)AFM vis:3000 mm<sup>2</sup>/s



## FITS YOUR NEEDS AND, CHANCES ARE, YOUR HOUSINGS.

The ALLFUEL Generation 2 Pump Insert will work with any existing SPF or ALLFUEL Generation 1 housing and is included on all new ALLFUEL pumps.

The ALLFUEL Generation 2 Pump Insert works on these systems:



## DIFFERENT INDUSTRIES. SAME RESULTS.

The ALLFUEL Generation 2 Pump Insert is helping to reduce downtime for companies in a number of sectors.

### OIL FIRING APPLICATIONS



- › Transfer and circulation pumps
- › Booster and burner operation pumps

### MARINE



- › Feeder and circulation pumps for fuels and lubricants

### TANK FARM ENGINEERING



- › Feeder and tank drainage pumps

### INDUSTRIAL APPLICATIONS



- › Transfer pumps for all lubricating liquids
- › Lubricating pumps for gear boxes, motors and hydraulic installations

## THE FUTURE OF PUMP SYSTEMS.

ALLFUEL Generation 2 Pump Inserts are changing the way people think about pump system maintenance.

### BRINGING DOWN DOWNTIME.

The pre-assembled one-piece insert unit can be installed or removed in a third of the time. Making it easier to maintain your pumps and keep your system running at peak performance.

### BUILT TO LAST.

Easy installation is just the beginning, ALLFUEL Generation 2 Pump Inserts are also engineered for durability and are built with high quality parts.

### ONE DESIGN FITS ALL.

Found on all new systems, the Generation 2 Pump Inserts will also fit the housing of all existing SPF and Generation 1 pumps.

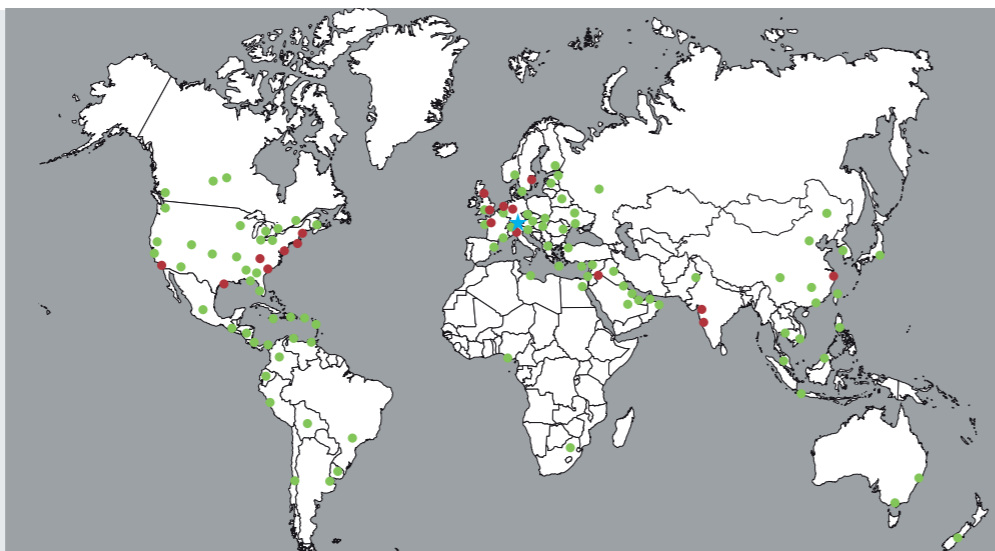
## AN INNOVATION WHOSE TIME HAS COME.

With new regulations, growing demand and increased need for compatibility, ALLFUEL Generation 2 Pump Inserts deliver the combination of convenience, performance and efficiency you need now more than ever.

## REDEFINING GLOBAL SOLUTIONS

CIRCOR Pumping Technologies maintains regional engineering and manufacturing facilities, along with a global network of distributors, to support you around the world and around the clock.

- ★ Global Headquarters
- Commercial Marine Main Offices
- Regional Manufacturing and Engineering Support Facilities
- Global Distributor Network



CIRCOR is a market-leading, global provider of integrated flow control solutions, specializing in the manufacture of highly engineered valves, instrumentation, pumps, pipeline products and services, and associated products, for critical and sever service applications in the oil and gas, power generation, industrial, process, maritime, aerospace, and defense industries.

## Excellence in Flow Control

Asia | Europe | Middle East | North America | South America

CIRCOR  
1710 Airport Rd  
Monroe, NC 28110  
USA

CIRCOR  
Allweiler India Pvt. Ltd.  
Plot No. 1, 22, 23, 653/1,  
Somnath Co-op.  
Indl. Soc. Ltd.,  
Somnath-Kachigam Road,  
Daman, 396 210. India  
+91 2636 - 2220070

CIRCOR  
Allweiler GmbH  
Alweilerstrasse 1  
78315 Radolfzell  
Germany  
Phone: +49 7732 86-0

CIRCOR  
Unit 804, Venture International  
Park  
Building B No. 2679  
Hechuan Road  
Shanghai 201103 China  
+86 21 6248 1395

CIRCOR  
82 Bridges Avenue  
P.O. Box 969  
Warren, MA 01083-0969  
USA  
+1(413) 436-7711

IMO AB  
Solna Torg 19, 2F  
171 45 Solna, Sweden



[circorpt.com](http://circorpt.com)