



**CONTROL VALVES
CAGE THROTTLING, SINGLE SEATED — BALANCED
150-600 LB. CLASSES DBOY(S)-3, DDBOY(S)-3, DBOS-3 AND DDBOS-3**

TABLE OF CONTENTS

INSTALLATION2

TYPICAL INSTALLATIONS2

OPERATION2

DISASSEMBLY2

CLEANING4

INSTALLATION OF STEM PACKING5

ENGINEERING DATA SHEET7

PARTS LIST8-15

ILLUSTRATION INDEX

DRAWINGS, DIMENSIONS, TYPICAL INSTALLATIONS AND MISCELLANEOUS DATA

Figure 1 - Typical Installation1

Figure 2 - Typical Control Valve Station1

Figure 3 - Class DBOY(S)-32

Figure 4 - DBOS-3/DDBOS-3 (Piston Ring Type)3

Figure 5 - Teflon Chevron Type4

Figure 6 - Graphite II Type5

INSTALLATION

Where noise may be a factor, follow recommendations for piping and fittings per instruction 5/0.3.1.

Install control valve in the highest horizontal line of piping, in an accessible location and with arrow on side of valve body in the direction of the fluid flow.

INSTALLATION PREFERENCE BASED ON EASE OF MAINTENANCE.

1. Mount the control valve in an UPRIGHT position.
2. Mount the control valve in an INVERTED position.
3. Mount the control valve in a side position only where absolutely necessary. Where mounted in this position it will be necessary to remove the complete control valve from the line to facilitate trim change or rebuilding.

In all cases provide sufficient removal space above, below and around the control valve for easy removal of the parts during maintenance. See Offset drawing 10/3.4.7.

All piping should be cleaned thoroughly before installation of the valve.

Inlet and outlet piping should be well drained to prevent erosion of the valve parts in steam service.

Adhere to good piping practice. Install a bypass around the control valve.

TYPICAL INSTALLATIONS

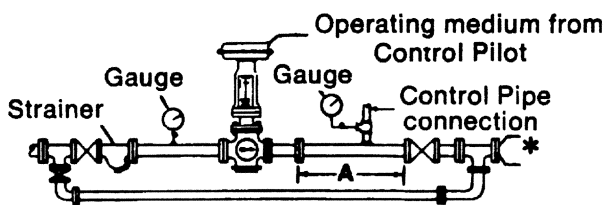


Figure 1
Typical Installation
*Expand as required for fluid flow
A = Minimum 4' to 5'

Recommended Piping for Control of Compressible Fluids at Values of 25% or Less of Inlet Pressure

- Expand outlet pipe as required to limit velocity. Use a tapered expander.
- Connect control pipe for control pilot ahead of outlet stop valve and at least 2 feet to 3 downstream from end of expander.

- Make control pipe connection at least 18 inches from outlet stop valve, any elbow, or other source of turbulence.

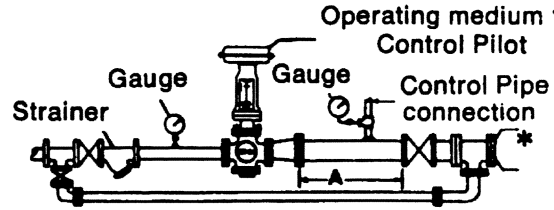


Figure 2
Typical Control Valve Station for Control of Compressible Fluids when down stream pressure is 25% or Less of Inlet Pressure
*Expand as required for fluid flow.

NOTE: Where sensing impulse is taken 2' to 3' downstream from control valve (expander), dimension "A" of 6' to 10' will provide lowest noise and velocity factors, accurate pressure sensing, and reasonable bypass length.

OPERATION

NOTE: Before placing the control valve in service, close inlet and outlet stop valve and check the control valve for rated travel in relation to the changes in operating air pressure on the diaphragm.

Place control valve in operation in accordance with instructions furnished with control pilot or other control device.

DISASSEMBLY

1. Close inlet and outlet stop valve and relieve all pressure from the valve body. Remove all compression from adjusting spring(s).
2. NORMALLY OPEN VALVES — DBOY(S)-3 and DBOS-3. Relieve air pressure from the actuator. Remove the tubing from upper diaphragm case.
3. NORMALLY CLOSED VALVES — DDBOY(S)-3 and DDBOS-3. Apply sufficient air to the actuator diaphragm to keep valve plug from touching seat while disengaging valve plug stem from actuator stem.
4. Loosen valve stem nut. Use wrench on plug stem flats and turn valve plug out of actuator stem until stems separate. Remove the tubing from lower diaphragm case. Do NOT grasp the stem with pliers.
5. Remove (4) cap screws holding actuator to bonnet and lift off actuator. Use caution not damage the valve stem with yoke.
6. Remove the stem nut, travel indicator, packing flange nuts, packing flange, and packing follower.

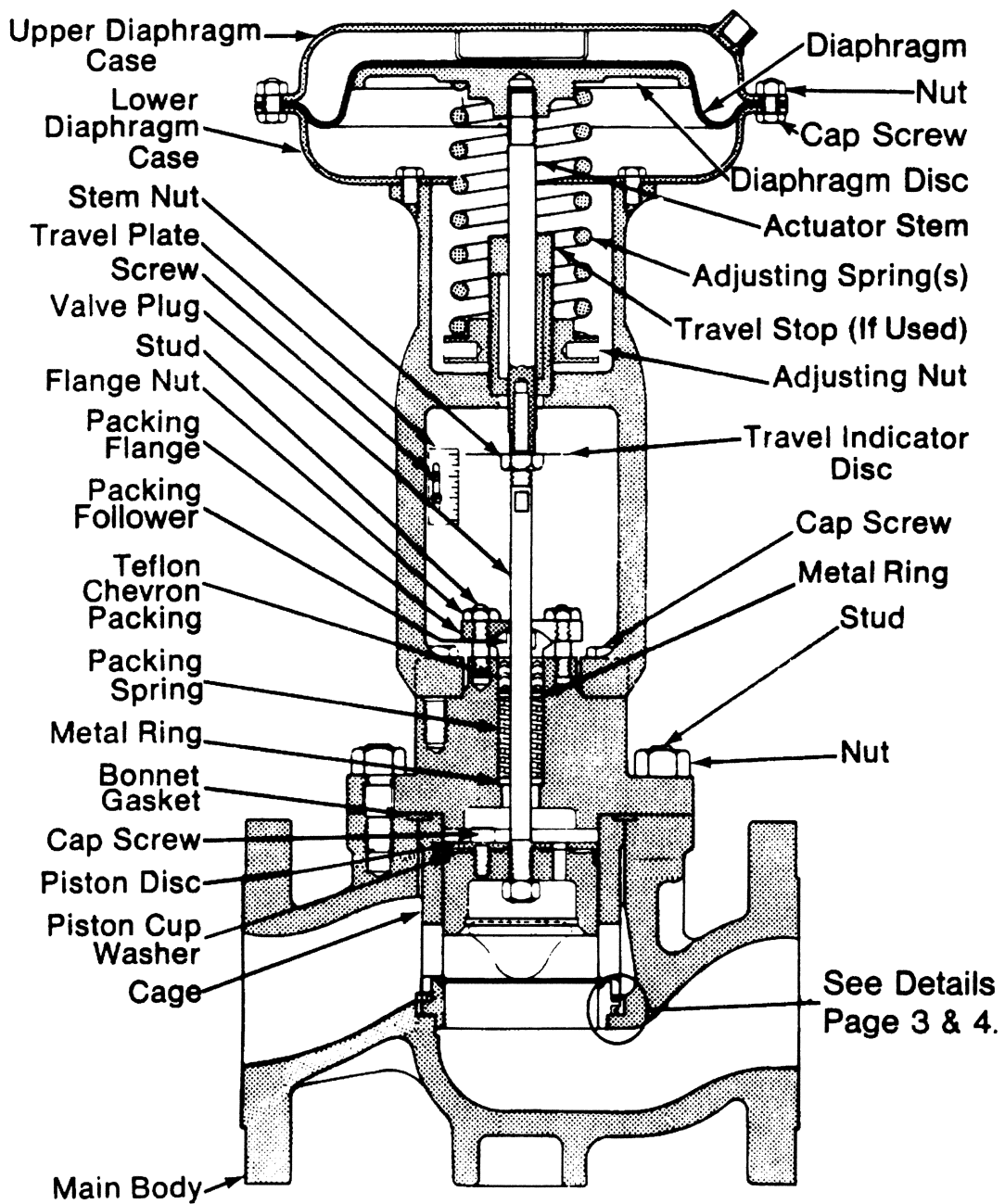


Figure 3 — Class DBOY(S)-3 with Standard Teflon Chevron Packing

7. Remove bonnet nuts and lift bonnet straight up until it clears valve plug stem being careful not to damage threads. Take out bonnet gasket.
8. Lift out valve plug assembly and cage.
9. Remove load ring, seat ring and seat ring gasket.
10. Hold plug with a wrench on stem flats and remove cap screws holding piston disc in place. Remove disc and piston cup washer.
- 10a. Piston ring type—Remove piston ring. Clean piston ring groove.

CLEANING

Remove the old packing from the bonnet and clean and polish the stuffing box. Clean all parts with solvent. Polish the parts with a fine aluminum oxide cloth to remove any foreign matter. Replace any worn or damaged parts. Be sure all gasket seating surfaces are clean and smooth. If any of the gasket faces are steam cut and remachining is needed, it is recommended that the valve be sent to Leslie Controls Rebuilding Department for repair. ALL CRITICAL dimensions must be maintained during remachining process.

LAPPING-IN OF VALVE PLUG AND SEAT RING

NOTE: Do not install piston cup washer or piston ring until lapping procedure is completed.

1. Place seat ring in body recess with seating surface upward.

Lower cage into body with window opening downward. Make sure cage fits into body with window openings downward. Make sure cage fits over raised face of seat ring.
2. Use a small amount of Carborundum Grade "CF" lapping compound (or equal) evenly spread around valve plug seating surface. Carefully insert valve plug into body until plug contacts seat ring. Lower bonnet over valve stem making sure stem threads are not damaged. Place one metal packing ring over valve stem and into bottom of stuffing box to act as a guide while lapping plug. (See Fig.5) Lightly lap plug to seat ring using weight of plug only and by rotating the plug in 1/4 turn increments. Lift and rotate plug 90° three or four times during lapping procedure. This will ensure even distribution of compound. DO NOT lap excessively—10 to 12 turns should be sufficient. Remove the parts and clean them thoroughly after lapping. Plug and seat ring contact may be checked by the bluing method before reassembly.

VALVE BODY REASSEMBLY

IMPORTANT! LOAD RING MUST BE INSTALLED IN THE POSITION SHOWN IN Figure 4 for CLASS DBOS and DDBOS and IN Figure 5 for CLASS DBOY(S) and DDBOY(S).

CLASS DBOS-3 / DDBOS-3 (Piston Ring Type)

1. Carefully position a new seat ring gasket in the body recess. Install seat ring with seating surface upward. Position load ring on top of seat ring flange as shown in Figure 4.

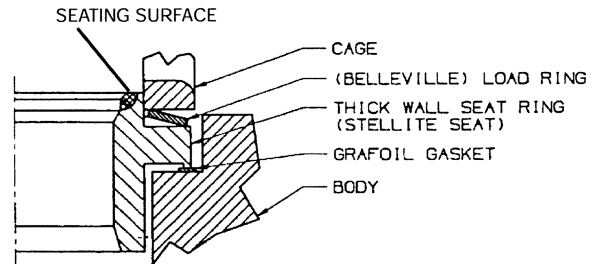


Figure 4

DBOS-3/DBOY-3 Assembly (Cup-Seal Type)

1. With seat ring seating surface upward, place seat ring gasket over lower end of seat ring. Push gasket up against flange. Install seat ring with gasket in main body. Position load ring on top of seat ring flange as shown in Figure 4.
2. Center piston cup washer on valve plug piston with beveled edge of washer downward. Install piston disc and tighten hex-head cap screws evenly. The disc bottoms in piston recess.

PREFORMING PISTON CUP WASHER

1. Using a compatible size ring compressor, slide the expanded compressor over piston cup washer, until its edge is flush with main valve seat end.
2. Compress piston cup washer using ring compressor until it forms around main valve.
3. Using a lead hammer tap main valve stem until main valve protrudes below ring compressor almost until the point where piston cup washer will come out.
4. Insert main valve into bore of cage. Rest ring compressor on top of cage, taking care that compressor and main valve are square with bore.
5. With one sharp blow of lead hammer drive main valve into cage, thus inserting preformed piston cup washer.

DBOS-3 AND DDBOS-3 PISTON RING FITTED TYPE

1. Expand piston ring gap just enough to slide ring down over piston, away from stem end of plug and into ring groove. Over expansion of ring may cause ring to break. If a 2-piece ring is used, install inner ring, then install outer ring with gap opposite (180°) inner ring gap.
2. Compress piston ring into ring groove and carefully guide valve plug assembly down into cage until valve plug rests on seat ring.

Place a new bonnet gasket into body recess and carefully lower bonnet over plug stem threads so as to not damage threads. Align bonnet so that stuffing box studs are in line with inlet and outlet of body.

Tighten bonnet stud nuts evenly and alternately until bonnet and body are in metal to metal contact to provide proper gasket compression.

INSTALLATION OF STEM PACKING

Stuffing box interior and valve plug stem must be clean, smooth, and free from imperfections that may cause new packing to leak.

Teflon Chevron Type Packing is standard for all valves having a "Y" in their classification. e.g.: DBO Y(S)

Graphite II Type Packing is standard on Steel DBOS-3 and DDBOS-3 type valves.

TEFLON CHEVRON TYPE

1. Place one metal ring in stuffing box, making sure it bottoms in box. This is followed by spring and second metal ring. Install the bottom Teflon adapter, four Teflon packing chevrons and top Teflon adapter in accordance with Fig. 5.

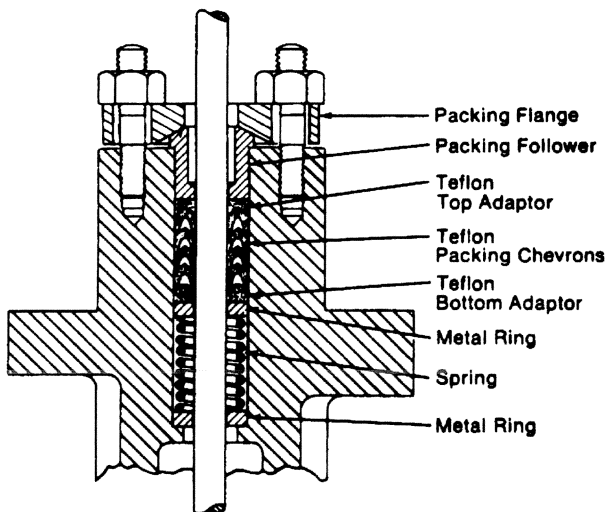


Figure 5

2. Install packing follower, packing flange, and 2 nuts. Tighten stuffing box nuts until follower bottoms on bonnet. Chevron packing is live-loaded. No adjustment is necessary.

GRAPHITE TYPE II PACKING

Packing tools are available from Leslie Controls and should be used to insure proper installation of packing. Packing tool reference numbers are shown on Dwg. 10/0.5.9, which also shows how to make the tools.

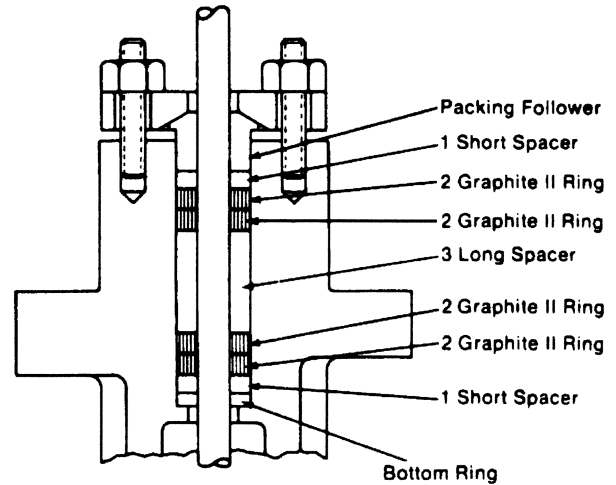


Figure 6 — Graphite II Type Packing Installation Sequence

INSTALLATION

One at a time, place spacers and packing rings over stem and into packing box in the order shown on drawing. Seat each ring firmly and use care not to tear rings on the stem threads. Adjust packing gland nuts equally—finger tight plus 1/6 turn (one flat of nut). If the nuts are adjusted equally, the packing flange will be level.

ADJUSTMENT

During start-up, some leakage may be observed. Do not readjust packing—allow at least 15 minutes for pressure/temperature stabilization to occur. If leakage continues, tighten both packing nuts a maximum of 1/6 turn at a time. If pressure is raised considerably, the packing may leak slightly. Do not readjust—leakage will stop when new pressure/temperature stabilization is reached.

BREAK-IN

We recommend that the valve be fully stroked approximately 20 times after packing installation and adjustment to break-in the packing and reduce stem friction.

RETROFIT

When installing this packing in a used valve, the stem finish is especially important. It should be reasonably close to its original micro finish: smooth, clean and free of scratches and scoring. The packing box bore should also be in good condition —smooth and clean. Both stem and packing box bore must be within dimensional tolerances.

If LUBRISOFT packing is used, repack per instruction on reverse side of packing wrapper.

ACTUATOR TYPES USED

DIRECT ACTING ACTUATOR — (air to extend stem). Size 270 actuator has air connections in upper diaphragm case and in spacer housing.

REVERSE ACTING ACTUATOR — (air to retract stem). Size 270R actuator has air connections in spacer housing and in lower diaphragm case.

NOTE: MAXIMUM ALLOWABLE AIR PRESSURE to diaphragm chamber(s) is 60 PSIG for all size actuators.

INSTALLATION OF ACTUATOR

1. Replace actuator on bonnet. Insert and tighten capscrews to secure yoke to bonnet.
2. Assemble valve stem nut and travel indicator disc onto valve plug stem, as shown in Fig. 3.
3. Lift valve plug and screw plug stem threads into actuator stem threads about one stem diameter. Screw stem nut upward until it contacts travel indicator disc.

ALL SIZE ACTUATORS

Compress actuator adjusting spring(s) sufficiently to move diaphragm(s) up against actuator upper case stops in DIRECT ACTING actuators, or down until valve plug contacts the seat in REVERSE ACTING actuators.

ADJUSTMENT OF VALVE TRAVEL

Apply sufficient air pressure to actuator diaphragm(s) to stroke valve fully. If travel is LESS than that shown on the travel indicator scale, screw the valve plug upward into the actuator stem. If the travel is MORE than that shown on the travel indicator scale, screw valve plug stem downward out of actuator stem. DO NOT TURN THE PLUG WHEN PLUG IS ON SEAT—if the valve is spring-closing type DDBOS or DDBOY, apply enough air to diaphragm to lift plug off its seat before turning the plug.

Once correct travel of valve has been obtained, turn the plug 1/2 turn out of the actuator stem toward the seat to assure POSITIVE SEATING of the plug. Tighten stem nut while holding stem with a wrench on the flats.

ADJUSTMENT OF ACTUATOR SPRING(S) PRELOAD

DBOY(S)-3 and DBOS-3— Direct Acting Actuators. WITH NO PRESSURE IN BODY OF VALVE adjust actuator adjusting spring compression so that valve plug JUST STARTS to move when 3 psig air is applied to diaphragm of actuator.

SIZE 270 ACTUATOR ONLY - valve plug should just start to move when 1-1/2 psig air is applied to actuator diaphragms.

DDBOY(S)-3 and DDBOS-3 REVERSE ACTING ACTUATORS

1. Follow procedure outlined in "FIELD ADJUSTMENT OF ACTUATOR SPRING(S)" to determine "Ps" value. WITH NO PRESSURE IN VALVE BODY adjust actuator spring(s) compression so that valve plug JUST STARTS TO MOVE when "Ps" value is applied to diaphragm(s) of valve actuator.

FIELD ADJUSTMENT OF ACTUATOR SPRING(S) 150-600 lb. CLASSES DDBOY(S)-3 & DDBOS-3

EXAMPLE: $P_s = \frac{P - P_2}{K}$

3" DDBOY with size 55R actuator.

$P = 600$ psig. $P_2 = 250$ psig.
 $K = 56$ from Table 1

$P_s = \frac{600 - 250}{56} = 6.25$ psig.

NOTE: If Ps is less than 3 psig use 3 psig.

VALVE SIZE	TABLE I — "K" FACTORS				
	ACTUATOR SIZE				
	35R	55R 55AR	85R 85AR	135R	270R
2	70	115	—	—	—
2½	—	78	121	—	—
3	—	56	88	—	—
4	—	33	52	83	—
6	—	—	25	39	78
8	—	—	—	23	45

NOTE: FOR COMPLETE MAINTENANCE INSTRUCTIONS OF ACTUATORS, REPLACEMENT OF DIAPHRAGMS, "U" CUP RINGS, ETC. SEE INSTRUCTION NUMBER:

10/0.5.10 for DIRECT ACTING ACTUATORS. (ALL SIZES)

10/0.5.11 for REVERSE ACTING ACTUATORS. (ALL SIZES)

10/05.5.6 for TOP MOUNTED HAND OPERATING DEVICES (H.O.D.)

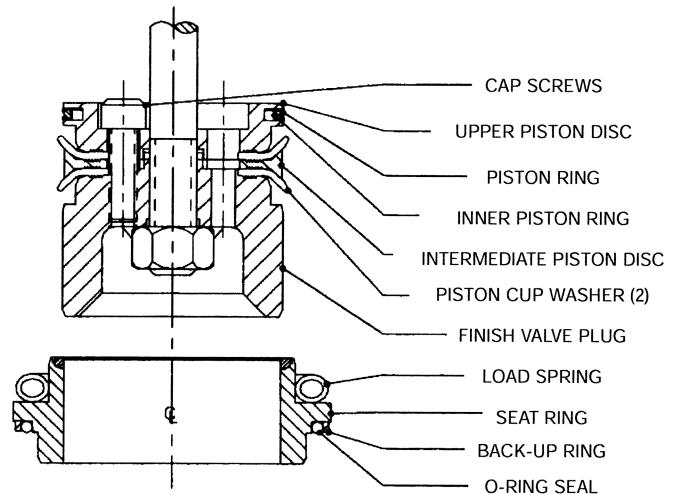
(D)DBOY(S)-2CD CONTROL VALVE FOR BIDIRECTIONAL SHUT-OFF

The (D)DBOYS (S)-2CD is a variation of the standard piston balanced (D)BOY(S) designed to provide bidirectional shut-off capability. It is suitable for batch type processes (such as textile dyeing and finishing), where a backpressure is applied against the valve during shut-off. (It is not designed for throttling against a reverse flow.)

The significant differences between the (D)DBOY(S)-2CD and the standard design are:

1. O-ring seal with back-up ring to provide a bidirectional seal between the body and seat ring.
2. Two piston cup washers, each sealing in a different direction, separated by an intermediate piston disc.
3. A special upper piston disc with piston ring, which acts as a wiper to keep the inner surface of the cage clean.
4. A lock nut on the packing flange studs. (Braided Teflon graphite packing is used for this design.)

DESCRIPTION	2"	2-1/2"	3"
Upper Piston Disc	70921	70922	70923
Intermediate Piston Disc	70450	70452	70463
Valve Plug	70931	69285	69286
Piston Ring	62591	62493	61390
Inner Piston Ring	70934	70935	70936
Piston Cup Washer (2)	61764	61445	60999
Cap Screws (3-2" & 2 1/2, 4-3")	70473	70473	39654
Seat Ring	67714	67715	67716
Load Spring	67296	67297	67298
O-ring seal	70018	70020	70093
Back-up ring	70019	70021	70092
Packing locknut	23194	23194	23194



The (D)DBOYS(S)-2CD is available in sizes 2", 2-1/2", and 3" only. The trim code is CD, and the packing code is 4. For example, a 2" threaded DDBOY-2CD and 35R actuator would be U831F1B4CD0.

In order to account for the additional friction of a second piston seal, and to provide for full stroking of the control valve with less than 15 psig of air, the following springs should be used:

Valve Size	Actuator	Spring	Span (psig)	Air to Fully Stroke (psig)
2"	35R	A70947	8	14
2"	55R	A24297 or	8	13
		A43078	9	14
2-1/2"	55R	A24297 or	9	14
		A43078	10	15
3"	55R	A24298	7	13
3"	85R	A24300 or	7	13
		A24299	10	15

The pressure spring selections are good for shut-off against pressure drops up to 125 psig. For springs suitable for pressure drops higher than 125 psig, consult the factory.

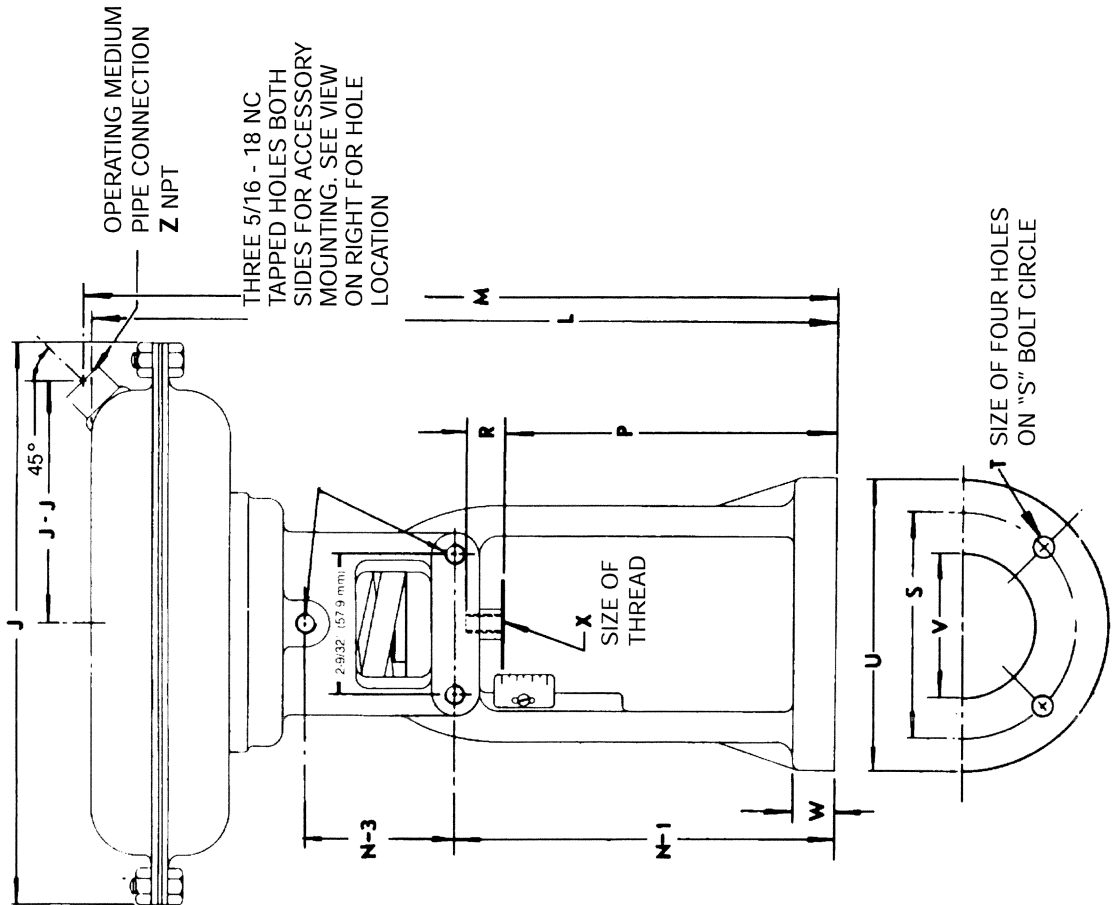
DIAPHRAGM CONTROL VALVES - CLASSES (D)DBO(Y)(S) - 3

MAXIMUM ALLOWABLE AIR PRESSURE FOR ALL DIAPHRAGM ACTUATORS IS 60 PSI (4.2 kg/cm²)
EXTERNAL VIEW

(USE FOR DIMENSIONAL PURPOSES ONLY)

DIRECT ACTING

(AIR PRESSURE EXTENDS STEM)

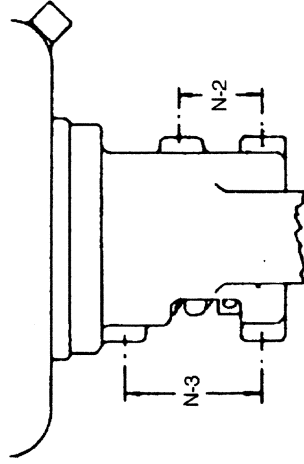


NOTE

WARNING LABELS INDICATE MAXIMUM PRESSURES AND DISASSEMBLY PRECAUTIONS. PLEASE FOLLOW INSTRUCTION CAREFULLY

REVERSE ACTING

(AIR PRESSURE RETRACTS STEM)



VIEW SHOWING TAPPED HOLE LOCATION FOR VALVE POSITIONER, MICRO-SWITCH MOUNTING, ETC.

DIAPHRAGM ACTUATORS - DIRECT ACTING

DIMENSIONS IN INCHES AND MILLIMETERS																			
SIZE DIAPHRAGM ACTUATOR	MAX TRAVEL	J	J-J	L	M	N-1	N-2	N-3	P	R	S	T	U	V	W	X	Z	NET WT. lb/kg**	
																		ALUM.	CAST IRON
35	3/4	9-1/4	3-15/16	12-3/8	12-3/8	6-1/4	2-1/2	2-1/2	5-1/2	1-3/8	3-13/16	9/16	4-13/16	2.687	11/16	3/8-24	1/4	20 lb	35 lb
	19.0	235.0	100.0	314.3	314.3	158.8	63.5	63.5	139.7	34.9	96.8	14.3	122.2	68.2	17.5	NPT	NPT	9.1 kg	15.9 kg
55	1-1/2	12	5-17/16	15-1/4	15-1/4	7	2-1/2	3	5-1/2	1-3/8	3-13/16	9/16	4-13/16	2.687	1	3/8-24	1/4	23 lb	50 lb
	38.1	304.8	128.6	387.4	387.4	177.8	63.5	76.2	139.7	34.9	96.8	14.3	122.2	68.2	25.4	NPT	NPT	10.4 kg	22.7 kg
55A	1-1/2	12	5-17/16	15-1/4	15-1/4	7	2-1/2	3	5-1/2	1-3/8	3-13/16	9/16	4-13/16	2.687	1	1/2-20	1/4	23 lb	50 lb
	38.1	304.8	128.6	387.4	387.4	177.8	63.5	76.2	139.7	34.9	96.8	14.3	122.2	68.2	25.4	NPT	NPT	10.4 kg	22.7 kg
85	2-1/8	14-3/4	6-1/4	19-5/8	19-5/8	8-1/2	2-1/2	4-1/8	6-7/16	1-3/4	3-13/16	9/16	4-13/16	2.687	1-1/4	1/2-20	1/4	43 lb	96 lb
	54.0	374.7	158.8	498.5	498.5	215.9	63.5	104.8	163.5	44.5	96.8	14.3	122.2	68.2	31.8	NPT	NPT	19.5 kg	43.5 kg
85A	2-1/8	14-3/4	6-1/4	19-5/8	19-5/8	8-1/2	2-1/2	4-1/8	6-7/16	1-3/4	3-13/16	9/16	4-13/16	2.687	1-1/4	3/4-16	1/4	48 lb	116 lb
	54.0	374.7	158.8	498.5	498.5	215.9	63.5	104.8	163.5	44.5	96.8	14.3	122.2	68.2	31.8	NPT	NPT	21.8 kg	52.6 kg
85*	2-1/8	14-3/4	6-1/4	20-1/4	20-1/4	9-1/8	2-1/2	4-1/8	7-1/16	1-3/4	4-3/4	11/16	6	3.500	1-5/16	1/2-20	1/4	45 lb	113 lb
	54.0	374.7	158.8	514.4	514.4	231.8	63.5	104.8	179.4	44.5	120.7	17.5	152.4	88.9	33.3	NPT	NPT	20.4 kg	51.3 kg
135	3	18	9	27-3/8	24-5/8	11-1/8	2-1/2	5-5/8	8-9/16	2-1/2	4-3/4	11/16	6	3.500	1-15/16	3/8	3/8	104 lb	187 lb
	76.2	457.2	228.6	695.3	625.5	282.6	63.5	142.9	217.5	63.5	120.7	17.5	152.4	88.9	33.3	NPT	NPT	47.2 kg	84.8 kg
135 (1-1/4) Dia. Stem	3	18	9	27-3/8	24-5/8	11-1/8	2-1/2	5-5/8	8-9/16	2-1/2	5-3/4	11/16	7	4.500	1-5/16	3/8	3/8	104 lb	187 lb
	76.2	457.2	228.6	695.3	625.5	282.6	63.5	142.9	217.5	63.5	146.1	17.5	177.8	114.3	33.3	NPT	NPT	47.2 kg	84.8 kg

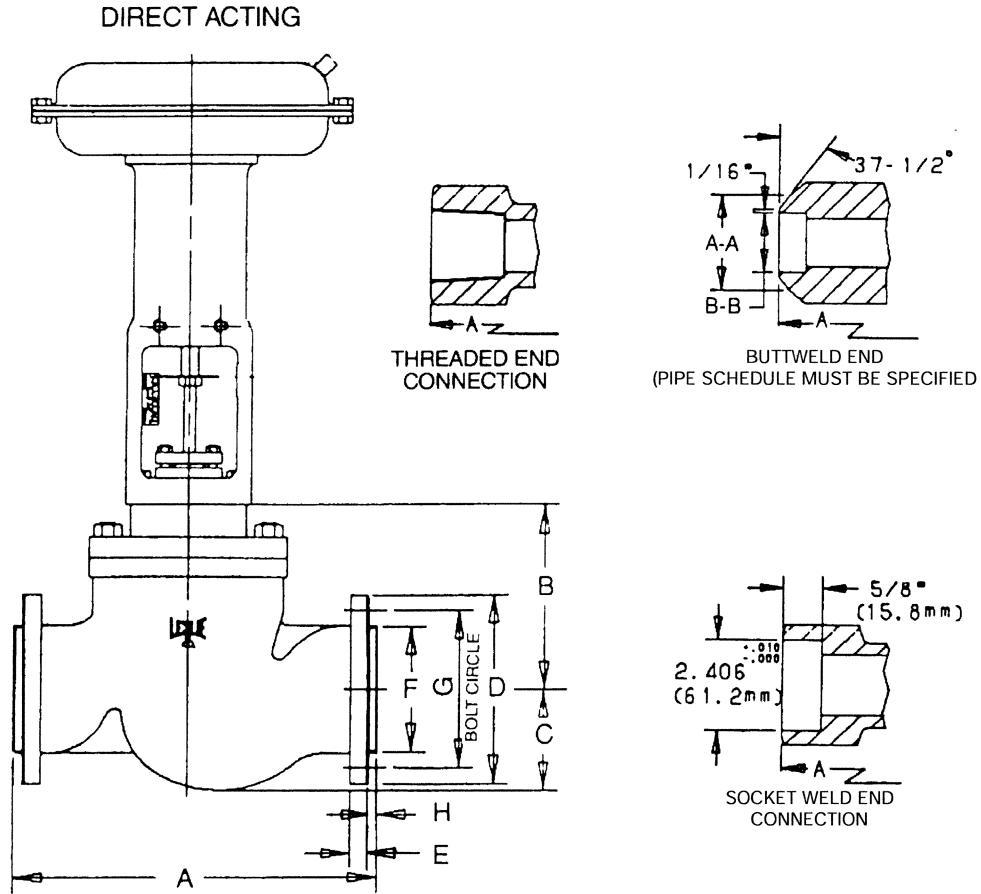
DIAPHRAGM ACTUATORS - REVERSE ACTING

DIMENSIONS IN INCHES AND MILLIMETERS																			
ACTUATOR SIZE	MAX TRAVEL	J	L	M	J-J	N	N-2	N-3	P	R	S	T	U	V	W	X	Z	NET WT**	
																		IRON	ALUM.
35R	3/4	9-1/4	12-3/8	9-7/8	3-15/16	6-1/4	2-1/2	2-1/2	4	1-3/4	3-13/16	9/16	4-13/16	2.687	11/16	3/8-24	1/4	30 lb	20 lb
	19.0	235.0	314.3	250.8	100.0	158.8	63.5	63.5	101.6	44.5	96.8	14.3	122.2	68.2	17.5	NPT	NPT	15.9 kg	9.1 kg
55R	1-1/2	12	18	14-1/4	5-17/16	6-7/8	2-1/2	3	4	1-3/4	3-13/16	9/16	4-13/16	2.687	1	3/8-24	1/4	60 lb	30 lb
	38.1	304.8	457.2	362.0	128.6	174.6	63.5	76.2	101.6	44.5	96.8	14.3	122.2	68.2	25.4	NPT	NPT	27.2 kg	13.6 kg
55AR	1-1/2	12	18	14-1/4	5-17/16	6-7/8	2-1/2	3	4	1-3/4	3-13/16	9/16	4-13/16	2.687	1	1/2-20	1/4	60 lb	30 lb
	38.1	304.8	457.2	362.0	128.6	174.6	63.5	76.2	101.6	44.5	96.8	14.3	122.2	68.2	25.4	NPT	NPT	27.2 kg	13.6 kg
85R	2-1/8	14-3/4	23-1/4	18-3/4	6-1/4	8-9/16	2-1/2	4-1/8	4-5/16	2-1/4	3-13/16	9/16	4-13/16	2.687	1-1/4	1/2-20	1/4	117 lb	54 lb
	54.0	374.7	590.6	476.3	158.8	217.5	63.5	104.8	109.5	57.2	96.8	14.3	122.2	68.2	31.8	NPT	NPT	53.1 kg	24.5 kg
85R*	2-1/8	14-3/4	23-7/8	19-3/8	6-1/4	9-3/16	2-1/2	4-1/8	4-15/16	2-1/4	4-3/4	11/16	6	3.500	1-5/16	1-2/20	1/4	120 lb	56 lb
	54.0	374.7	606.4	492.1	158.8	233.4	63.5	104.8	125.4	57.2	120.7	17.5	152.4	88.9	33.3	NPT	NPT	54.4 kg	25.4 kg
85AR	2-1/8	14-3/4	25-7/8	21-3/8	6-1/4	11-1/8	2-1/2	4-1/8	5-9/16	3-1/8	4-3/4	11/16	6	3.500	1-5/16	3/4-16	1/4	123 lb	59 lb
	54.0	374.7	657.2	542.9	158.8	282.6	63.5	104.8	141.3	79.4	120.7	17.5	152.4	88.9	33.3	NPT	NPT	55.8 kg	26.8 kg
135R	3	18	32-1/4	28-3/8	9	11-1/8	2-1/2	5-5/8	5-9/16	3-1/8	4-3/4	11/16	6	3.500	1-5/16	3/8	3/8	197 lb	155 lb
	76.2	457.2	819.2	720.7	228.6	282.6	63.5	142.9	141.3	79.4	120.7	17.5	153.4	88.9	33.3	NPT	NPT	89.4 kg	70.3 kg
135R (1-1/4)	3	18	32-1/4	28-3/8	9	11-1/8	2-1/2	5-5/8	5-9/16	3-1/8	5-3/4	11/16	7	4.500	1-5/16	3/8	3/8	197 lb	155 lb
	76.2	457.2	819.2	720.7	228.6	282.6	63.5	142.9	141.3	79.4	146.1	17.5	177.8	114.3	33.3	NPT	NPT	89.4 kg	70.3 kg

DIMENSIONS IN INCHES AND MILLIMETERS															
ACTUATOR SIZE	MAX TRAVEL	N-1	N-2	N-3	P	R	S	T	U	V	W	X	NET WT** lb/kg	NET WT** W/H.O.D. lb/kg	
															270 (in)
270 (mm)	76.2	281.0	63.5	142.9	217.5	63.5	120.7	17.5	152.4	88.9	33.3	NPT	95.3 kg	102.1 kg	
270R (in)	3	11-1/8	2-1/2	5-5/8	5-9/16	3-1/8	4-3/4	11/16	6	3.500	1-5/16	3/4-16	288 lb	300 lb	
270R (mm)	76.2	282.6	63.5	142.9	141.3	79.4	120.7	17.5	152.4	88.9	33.3	NPT	130.6 kg	136.1 kg	

* Mounting Flange Dimensions same as 135(R) Yoke.
** Approximate

DIAPHRAGM CONTROL VALVE DIMENSIONS



BUTT WELD END DIMENSIONS IN INCHES AND MILLIMETERS					
SIZE		SCH.80 B-B	SCH.40 B-B	A-A	A
2-1/2"	in	2.323		2-15/16	11-1/2
	mm	59.0		74.6	292.1
3"	in	2.900		3-9/16	12-1/2
	mm	73.6		90.4	317.5
4"	in	3-826		4-5/8	14-1/2
	mm	91.2		117.4	368.3
6"	in	5-761	6.065	6-25/32	18-5/8
	mm	146.3	154.1	172.2	473.0
8"	in	7.625	7.981	8-25/32	22-3/8
	mm	193.7	202.7	223.0	568.3

VALVE SIZE	VALVE TRAVEL	CV				STANDARD ACTUATOR SIZE	ALTERNATE ACTUATOR SIZE
		STD. TRIM	RED. TRIM	LES- SONIC	LES- CAV		
2"	3/4"	65	26	48	32	35(R)	55(R)
2-1/2"	7/8"	90	36	70	40	55A(R)	85(R)
3"	1"	125	50	97	63	55A(R)	85(R)
4"	1-1/4"	205	82	156	103	55A(R)	85(R)
6"	2"	435	174	349	217	85A(R)	135(R)
8"	2-3/4"	760	304	579	304	135(R)	270(R)

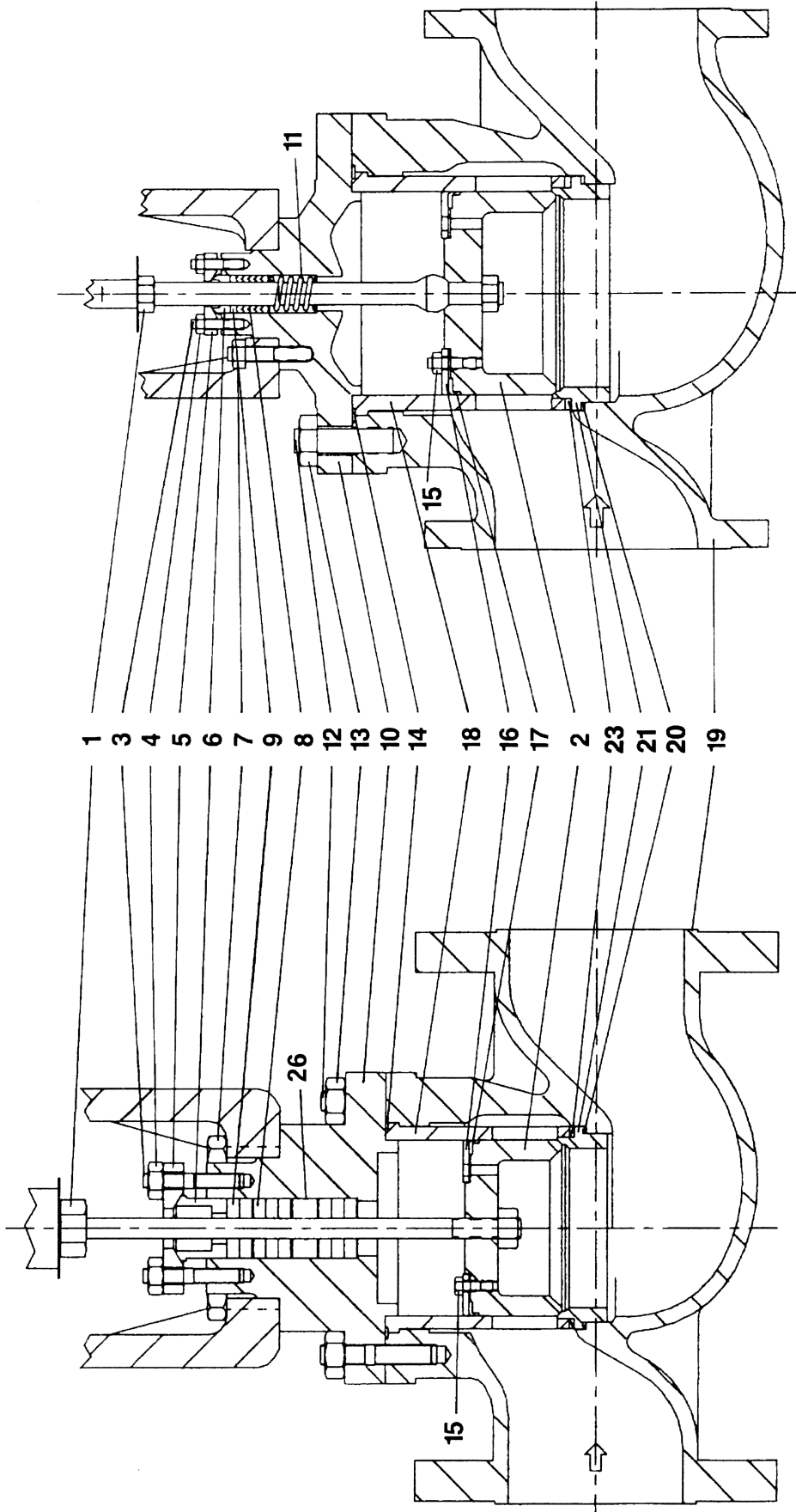
DIAPHRAGM CONTROL VALVE DIMENSIONS

VALVE SIZE	DIMENSIONS IN INCHES AND MILLIMETERS								NO. OF HOLES	SIZE HOLES	NET WT. lb/kg*	
	A	B	C	D	E	F	G	H				
THREADED												
2 50	in mm	9-1/4 234.9	7-1/8 181.0	3 76.2							45 lb 20.4 kg	
THREADED (CAST IRON)												
2 50	in mm	9-1/4 235.0	7-1/4 184.2	3-3/4 98.3							80 lb. 36.3 kg.	
S.W.E.												
2 50	in mm	9-1/4 234.9	7-1/8 181.0	3 76.2							45 lb 20.4 kg	
FLANGED 125 LB. ANSI STANDARD B 16.1 (CAST IRON)												
2 50 2-1/2 65 3 80 4 100 6 160 8 200	in mm in mm in mm in mm in mm in mm in mm in mm	10 254.0 10-7/8 276.2 11-3/4 298.5 13-7/8 352.4 17-3/4 450.9 21-3/8 542.9	7-1/4 184.2 6-5/8 168.3 6-7/8 174.6 8-1/8 206.4 9-3/4 247.7 12-1/4 311.2	3-3/4 95.3 4-3/8 111.1 4-1/2 114.3 5-1/2 139.7 5-7/8 149.2 7-5/8 193.7	6 152.4 7 177.8 7-1/2 190.5 9 228.6 11 279.4 13-1/2 342.9	5/8 15.9 11/16 17.5 3/4 19.1 15/16 23.8 1 25.4 1-1/8 28.6		4-3/4 120.7 5-1/2 139.7 6 152.4 7-1/2 190.5 9-1/2 241.3 11-3/4 298.5		4 4 4 4 4 8 8 8 8 8 8	3/4 19.1 3/4 19.1 3/4 19.1 3/4 19.1 7/8 22.2 7/8 22.2	85 lb. 38.6 kg. 125 lb. 56.7 kg. 145 lb. 65.8 kg. 190 lb. 86.2 kg. 460 lb. 208.7 kg. 625 lb. 283.5 kg.
FLANGED 150 LB. ANSI STANDARD B16.5												
2 50 2-1/2 65 3 80 4 100 6 150 8 200	in mm in mm in mm in mm in mm in mm in mm	10 254.0 10-7/8 276.2 11-3/4 298.5 13-7/8 352.4 17-3/4 450.9 21-3/8 542.9	7-1/8 181.0 6-5/8 168.3 6-7/8 174.6 8-5/8 219.1 9-3/4 247.7 12-1/4 311.2	3 76.2 3-1/2 88.9 3-3/4 95.3 4-1/2 114.3 5-1/2 139.7 6-3/4 171.5	6 152.4 7 177.8 7-1/2 190.5 9 228.6 11 279.4 13-1/2 342.9	9/16 14.3 5/8 15.9 11/16 17.5 7/8 19.1 15/16 23.8 1-1/16 27.0	3-5/8 92.1 4-1/8 104.8 5 127.0 6-3/16 157.2 8-1/2 215.9 10-5/8 270.0	4-3/4 120.7 5-1/2 139.7 6 152.4 7-1/2 190.5 9-1/2 241.3 11-3/4 298.5	1/16 1.6 1/16 1.6 1/16 1.6 1/16 1.6 1/16 1.6 1/16 1.6	4 4 4 4 4 8 8 8 8 8 8	3/4 19.1 3/4 19.1 3/4 19.1 3/4 19.1 7/8 22.2 7/8 22.2	85 lb 38.6 kg 125 lb 56.7 kg 145 lb 65.8 kg 190 lb 86.2 kg 450 lb 204.1 kg 600 lb 272.2 kg
FLANGED 250 LB. ANSI STANDARD B16.1 (CAST IRON)												
2 50 2-1/2 65 3 80 4 100 6 150 8 200	in mm in mm in mm in mm in mm in mm in mm	10-1/2 266.7 11-1/2 292.1 12-1/2 317.5 14-1/2 368.3 18-5/8 473.1 22-3/8 568.3	7-1/4 184.2 6-5/8 168.3 6-7/8 174.6 8-1/8 206.4 9-3/4 247.7 12-1/4 311.2	3-3/4 95.3 4-3/8 111.1 4-1/2 114.3 5-1/2 139.7 5-7/8 149.2 7-5/8 193.7	6-1/2 165.1 7-1/2 190.5 8-1/4 209.6 10 254.0 12-1/2 317.5 15 381.0	13/16 20.6 15/16 23.8 1-1/16 27.0 1-3/16 30.2 1-3/8 34.9 1-9/16 39.7	4-3/16 106.4 4-15/16 125.4 5-11/16 144.5 6-15/16 176.2 9-11/16 246.0 11-15/16 303.2	5 127.0 5-7/8 149.2 6-5/8 168.3 7-7/8 200.0 10-5/8 269.9 13 330.2	1/16 1.6 1/16 1.6 1/16 1.6 1/16 1.6 1/16 1.6 1/16 1.6	8 8 8 8 8 8 8 8 12 12 12	3/4 19.1 7/8 22.2 7/8 22.2 7/8 22.2 7/8 22.2 1 25.4	88 lb. 39.9 kg. 130 lb. 59.0 kg. 152 lb. 68.9 kg. 198 lb. 89.8 kg. 480 lb. 217.7 kg. 640 lb. 290.3 kg.
FLANGED 300 LB. ANSI STANDARD B16.5												
2 50 2-1/2 65 3 80 4 100 6 150 8 200	in mm in mm in mm in mm in mm in mm in mm	10-1/2 266.7 11-1/2 292.1 12-1/2 317.5 14-1/2 368.3 18-5/8 473.1 22-3/8 568.3	7-1/8 181.0 6-5/8 168.3 6-7/8 174.6 8-5/8 219.1 9-3/4 247.7 12-1/4 311.2	3-1/4 82.6 3-3/4 95.3 4-1/8 104.7 5 127.0 6-1/4 158.8 7-1/2 191.0	6-1/2 165.1 7-1/2 190.5 8-1/4 209.6 10 254.0 12-1/2 318.0 15 381.0	13/16 20.6 15/16 23.8 1-1/16 27.0 1-3/16 30.2 1-3/8 34.9 1-9/16 39.7	3-5/8 92.1 4-1/8 104.8 5 127.0 6-3/16 157.2 8-1/2 216.0 10-5/8 270.0	5 127.0 5-7/8 149.2 6-5/8 168.2 7-7/8 200.0 10-5/8 269.8 13 330.2	1/16 1.6 1/16 1.6 1/16 1.6 1/16 1.6 1/16 1.6 1/16 1.6	8 8 8 8 8 8 8 8 12 12 12	7/8 22.2 7/8 22.2 7/8 22.2 7/8 22.2 7/8 22.2 1 25.4	88 lb 39.9 kg 130 lb 59.0 kg 152 lb 68.9 kg 198 lb 89.8 kg 470 lb 213.2 kg 635 lb 288.0 kg
FLANGED 600 LB. ANSI STANDARD B16.5												
2 50 2-1/2 65 3 80 4 100 6 150 8 200	in mm in mm in mm in mm in mm in mm in mm	11-1/4 285.8 12-1/4 311.2 13-1/4 336.6 15-1/2 393.7 20 508.0 24 609.6	7-1/8 181.0 6-5/8 168.3 6-7/8 174.6 8-5/8 219.1 9-3/4 247.7 12-1/4 311.2	3-1/4 82.6 3-3/4 95.3 4-1/8 104.8 5-3/8 136.5 7 177.8 8-1/4 209.6	6-1/2 165.1 7-1/2 190.5 8-1/4 209.6 10-3/4 273.1 14 355.6 16-1/2 419.1	1 25.4 1-1/8 28.6 1-1/4 31.8 1-1/2 38.1 1-7/8 47.6 2-3/16 55.6	3-5/8 92.1 4-1/8 104.8 5 127.0 6-3/16 168.3 8-1/2 215.9 10-5/8 269.9	5 127.0 5-7/8 149.2 6-5/8 168.3 8-1/2 215.9 11-1/2 292.1 13-3/4 349.3	1/4 6.4 1/4 6.4 1/4 6.4 1/4 6.4 1/4 6.4 1/4 6.4	8 8 8 8 8 8 8 8 12 12 12	7/8 22.2 7/8 22.2 7/8 22.2 7/8 22.2 1-1/8 28.6 1-1/4 31.8	90 lb 40.8 kg 135 lb 61.2 kg 158 lb 71.7 kg 205 lb 93.0 kg 485 lb 220.0 kg 660 lb 299.4 kg

*Approximate Net Wt. of Valve complete with Standard Actuator (not including H.O.D.)

DIAPHRAGM CONTROL VALVE

CLASS DBOYS-3, DDBOYS-3, DBOS-3 AND DDBOS-3



VIEW SHOWING 3" VALVE
WITH BRAIDED TEFLON GRAPHITE PACKING

VIEW SHOWING 6" AND 8" VALVE
WITH TEFLON CHEVRON PACKING

(#22, PIPE PLUG, NOT SHOWN)
(#24, LANTERN RING, NOT SHOWN)
(#25, PISTON RING, NOT SHOWN)

DIAPHRAGM CONTROL VALVE PARTS LIST

WHEN ORDERING PARTS, PLEASE GIVE PART NAME AND PART REF. NO. FROM TABLE BELOW. USE PART NUMBER ONLY TO LOCATE PART ON DRAWING.

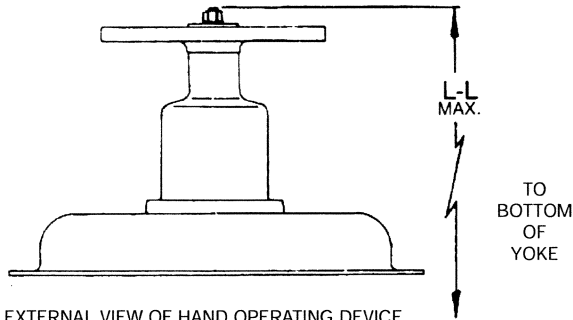
PART NO.	PART NAME	MATERIAL	MATERIAL SPEC.	QTY. PER UNIT	REFERENCE NUMBERS					
					2"	2-1/2"	3"	4"	6"	8"
1	Nut	Stainless Steel	AISI 300 Series	1	A70365	A70366	A70366	A70366	A70367	A70367
2*	Valve Plug, Stellited, Note 9 & 10	Stainless Steel	NOTE 8	1	A69290	A69291	A69292	A69293	A69294	A69297
2*	Valve Plug, Unstallited, Note 9 & 10	Stainless Steel	NOTE 8	1	A69284	A69285	A69286	A69287	A69288	A69289
2*	Valve Plug, Stellited, Note 7 & 10	Note 8	NOTE 8	1	A62608	A62024	A61361	A69145	A62041	A62624
3	Stud	Stainless Steel	AISI 300 Series	2	A71104	A71104	A71104	A71104	A71074	A71074
4	Nut	Stainless Steel	AISI TYPE 304	2	A23194	A23194	A23194	A23194	A42843	A42843
5	Packing Flange	Stainless Steel	AISI TYPE 303	1	A59982	A59982	A59982	A59982	A59978	A59978
6	Packing Follower, Graphite Packing	Stainless Steel	AISI TYPE 303	1	A22949	A22949	A22949	A22949	A62561	A62561
6	Packing Follower, Teflon Packing	Stainless Steel	AISI TYPE 303	1	A22949	A22949	A22949	A22949	A62559	A62559
6	Packing Follower, Braided Teflon Graphite	Stainless Steel	AISI TYPE 303	1	A22949	A22949	A22949	A22949	A62559	A62559
7	Capscrew	Steel	COMMERCIAL	4	A47346	A47346	A47346	A47346	A36150	A36150
8†	Packing Ring Set, Graphite Packing	Graphite Type II	COMMERCIAL	1-Note 2	A70380	A70380	A70380	A70380	A70481	A70481
8†	Packing Set, Teflon Chevron Graphite	Teflon	COMMERCIAL	1	A28015	A28015	A28015	A28015	A62053	A62053
8†	Packing Set, Braided Teflon Graphite	Teflon/Graphite	COMMERCIAL	1	A69423	A69423	A69423	A69423	A69425	A69425
9	Packing Ring For All Sets	Stainless Steel	AISI TYPE 304	Note 1	A23192	A23192	A23192	A23192	A30702	A30702
10	Bonnet	Note 6	Note 6	1	A6834703	A6834803	A6829103	A68707	A68706	A67041
10	Bonnet	Cast Steel	ASTM A-216-GRWCB	1	A6834703	A6834803	A6829103	A6913303	A6696203	A6704303
11†	Packing Spring, Teflon Packing	Spring Steel	COMMERCIAL	1	A28011	A28011	A28011	A28011	A62052	A62052
12	Stud	Steel	ASTM A-193GR B7	Note 3	A64428	A64428	A64428	A11108	A63419	A67052
13	Nut	Steel	ASTM A-194GR 2H	Note 3	A03677	A03677	A03677	A03679	A03678	A03679
12	Stud	Steel	ASTM A-193GRB7	Note 4	A64428	A64428	A64428	A11108	A45375	A67943
13	Nut	Steel	ASTM A-194GR2H	Note 4	A03677	A03677	A03677	A03679	A03680	A19180
14†	Bonnet Gasket	Flexible Metallic	COMMERCIAL	1	A6177890	A6143590	A6096190	A6173490	A6178090	A6178290
15	Capscrew	Stainless Steel	AISI TYPE 302	Note 5	A39637	A39637	A39655	A39655	A62059	A62059
15	Capscrew, Note 9	Stainless Steel	AISI TYPE 302	Note 5	A39637	A39637	A39655	A39655	A62059	A62059
16	Piston Disc	Stainless Steel	AISI TYPE 316	1	A62606	A61442	A60931	A61717	A62038	A62626
16	Piston Disc, Note 9	Stainless Steel	AISI TYPE 316	1	A62606	A61442	A60931	A61717	A62038	A62626
17	Piston Cupwasher	Teflon with Graphite	COMMERCIAL	1	A61764	A61445	A60999	A61712	A61766	A61768
17	Piston Cupwasher, Note 9	Teflon with Graphite	COMMERCIAL	1	A61764	A61446	A61389	A61772	A61774	A61776
18*	Cage, Full Trim	Cast Stainless Steel	ASTM A-743 GRCA40	1	A62587	A61437	A61248	A61718	A62036	A62627
18*	Cage, 40% Red. Trim	Cast Stainless Steel	ASTM A-743 GRCA40	1	A62984	A62985	A61337	A63003	A63001	A63002
18*	Cage, Les-Sonic II Trim	Cast Stainless Steel	ASTM A-743 GRCA40	1	A68467	A68468	A68469	A68470	A68471	A68472
18*	Cage, Les-Cav Trim	Cast Stainless Steel	ASTM A-743 GRCA40	1	A68270	A67596	A68410	A68417	A67424	A68005
19	Body, Threaded	Cast Iron	ASTM A-126 GRB	1	A67098	—	—	—	—	—
19	Body, Threaded	Cast Steel	ASTM A-216 GRWCB	1	A6709703	—	—	—	—	—
19	Body, 125 lb. Flanged	Cast Iron	ASTM A-126 GRB	1	A67022	A67023	A67026	A67027	A67029	A67032
19	Body, 150 lb. Flanged	Cast Steel	ASTM A-216 GRWCB	1	A6676603	A6677903	A6677203	A6677503	A6677803	A6703403
19	Body, 250 lb. Flanged	Cast Iron	ASTM A-126 GRB	1	A67021	A67024	A67025	A67028	A67030	A67033
19	Body, 300 lb. Flanged	Cast Steel	ASTM A-216 GRWCB	1	A6676703	A6677003	A6677303	A6677603	A6677903	A6703503
19	Body, 600 lb. Flanged	Cast Steel	ASTM A-216 GRWCB	1	A6677103	A6677103	A6677403	A6677703	A6678003	A6703603
19	Body, DIN 2532/2533, ND 10/16	Cast Iron	ASTM A-126 CL.B	1	A67708	A67709	A67710	A67711	A67031	—
19	Body, DIN 2532, ND10	Cast Iron	ASTM A-126 CL.B	1	—	—	—	—	—	A69661
19	Body, DIN 2533, ND-16	Cast Iron	ASTM A-126 CL.B	1	—	—	—	—	—	A67712
19	Body, DIN 2543, ND-16	Cast Steel	ASTM A-216 GRWCB	1	—	—	A6481503	—	A6656003	A6774903
19	Body, DIN 2545, ND-40	Cast Steel	ASTM A-216 GRWCB	1	A6460403	—	—	—	A6322203	—
19	Body, DIN 2547, ND-100	Cast Steel	ASTM A-216 GRWCB	1	—	A6633303	—	—	—	—
20†	Seat Ring Gasket	Commercial/Sheet Backing	COMMERCIAL	1	A61744	A61729	A61679	A61745	A61746	A61747
21*	Seat Ring, Stellited Trim	Stainless Steel	AISI TYPE 400 (STELL.)	1	A70511	A70512	A70513	A70514	A70594	A70595
21*	Seat Ring, Unstallited Trim	Stainless Steel	AISI TYPE 400	1	A70454	A70455	A70456	A70457	A71072	A71073
22	Pipe Plug	Stainless Steel	AISI TYPE 316	1	A66183	A66183	A66183	A66183	A66183	A66183
23†	Load Ring	Stainless Steel P.H.	ASTM A-564 GR630	1	A61777	A61434	A62469	A61733	A61779	A61781
24	Lantern Ring, Braided Teflon Packing	Stainless Steel	AISI 300 SERIES	1	A66176	A66176	A66176	A66176	A58689	A58689
25	Piston Ring, Note 7	N--Resist & SST	COMMERCIAL	1	A62591	A62493	A61390	A62028	A62029	A62565
26	Spacer	Stainless Steel	AISI 300 SERIES	1	A70375	A70375	A70375	A70375	A71122	A71122

† RECOMMENDED SPARE PARTS

* THESE PARTS SHOULD BE ON HAND, PLUS RECOMMENDED SPARE PARTS WHEN OVERHAULING THIS EQUIPMENT.

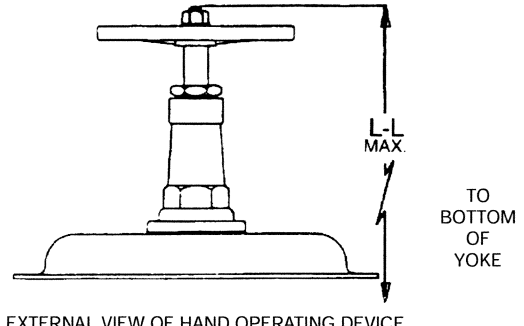
- NOTE 1: Quantity is two (2) for Teflon Chevron Packing and one (1) for both Graphite Packings.
 NOTE 2: Consists of four (4) Rings.
 NOTE 3: Quantities are eight (8) for 2" to 6" sizes and ten (10) for 8" size.
 NOTE 4: Quantities are eight (8) for 2" to 6" size and twelve (12) for 8" size.
 NOTE 5: Quantities are three (3) for 2" to 3" size, four (4) for 4" and 6" size and eight (8) for 8" size.
 NOTE 6: Material is Cast Steel ASTM A-216 GR WCB for 2-1/2" to 3" sizes and Cast Iron for 4" to 8" sizes.
 NOTE 7: (D)DBOS-3 only.
 NOTE 8: Stem material AISI Type 316; Plug material AISI Type 410.
 NOTE 9: (D)DBOYS-3 only.
 NOTE 10: Valve plug is used with all types of cages.

DIAPHRAGM ACTUATORS HAND OPERATING DEVICE REVERSE ACTING



EXTERNAL VIEW OF HAND OPERATING DEVICE
(USE FOR DIMENSIONAL PURPOSES ONLY)

DIAPHRAGM ACTUATORS HAND OPERATING DEVICE DIRECT ACTING



EXTERNAL VIEW OF HAND OPERATING DEVICE
(USE FOR DIMENSIONAL PURPOSES ONLY)

DIMENSIONS IN INCHES AND MILLIMETERS						
ACTUATOR SIZE	L - L (MAX.)		NET WT.** WITH H.O.D.		NET WT** WITH HANDJACK	
	HAND OPERATING DEVICE	TWO DIRECTIONAL HANDJACK	CAST IRON	ALUM	CAST IRON	ALUM
			ALUM.	CAST IRON	ALUM.	CAST IRON
35R	in 16-3/4 mm 425.5	22 558.8	38 lb 17.2 kg	20 lb 9.1 kg	45 lb 20.4 kg	27 lb 12.2 kg
55R	in 26-3/8 mm 669.9	37 939.8	65 lb 29.5 kg	35 lb 15.9 kg	70 lb 31.7 kg	40 lb 18.1 kg
55 AR	in 26-3/8 mm 669.9	37 939.8	65 lb 29.5 kg	35 lb 15.9 kg	70 lb 31.7 kg	40 lb 18.1 kg
85R	in 31-5/8 mm 803.3	42 1066.8	122 lb 55.3 kg	54 lb 24.5 kg	136 lb 61.7 kg	66 lb 29.9 kg
85R*	in 32-1/4 mm 819.2	42-5/8 1082.7	125 lb 56.7 kg	56 lb 25.4 kg	142 lb 64.4 kg	68 lb 30.8 kg
85AR	in 34-1/4 mm 870	44-5/8 1133.5	128 lb 58.1 kg	59 lb 26.8 kg	145 lb 65.8 kg	71 lb 32.2 kg
135R	in 43-5/8 mm 1108.1	59 1498.6	207 lb 93.9 kg	165 lb 74.8 kg	230 lb 104.3 kg	178 lb 80.7 kg
270R	in 59-3/4 mm 1517.7	-	-	300 lb 136.1 kg	-	-

* Mounting Flange Dimension same as 135(R) Yoke.

** Approximate

DIMENSIONS IN INCHES AND MILLIMETERS						
SIZE DIAPHRAGM ACTUATOR	L - L (MAX.)		NET WT lb/kg** WITH H.O.D.		NET WT lb/kg** WITH HANDJACK	
	HAND OPERATING DEVICE	TWO DIRECTIONAL HANDJACK	ALUM.	CAST IRON	ALUM.	CAST IRON
			ALUM.	CAST IRON	ALUM.	CAST IRON
35	in 17-7/8 mm 454.0	23 584.2	23 lb 10.4 kg	38 lb 17.2 kg	30 lb 13.6 kg	45 lb 20.4 kg
55	in 24-7/8 mm 631.8	35-5/8 904.9	28 lb 12.7 kg	55 lb 24.9 kg	38 lb 17.2 kg	65 lb 29.5 kg
55A	in 24-7/8 mm 631.8	35-5/8 904.9	28 lb 12.7 kg	55 lb 24.9 kg	38 lb 17.2 kg	65 lb 29.5 kg
85	in 29-1/4 mm 743.0	40 1016.0	48 lb 21.8 kg	101 lb 45.8 kg	60 lb 27.2 kg	115 lb 52.2 kg
85A	in 31-7/8 mm 809.6	42-5/8 1082.7	53 lb 24.0 kg	121 lb 54.9 kg	65 lb 29.5 kg	138 lb 62.6 kg
85*	in 29-7/8 mm 758.8	40-5/8 1031.9	50 lb 22.7 kg	118 lb 53.5 kg	62 lb 28.1 kg	135 lb 61.2 kg
135	in 39-3/4 mm 1009.7	54 1371.6	114 lb 51.7 kg	197 lb 89.4 kg	137 lb 62.1 kg	220 lb 99.8 kg
270	in 48-1/8 mm 1222.4	-	225 lb 102.1 kg	-	-	-

BI-DIRECTIONAL HANDJACK

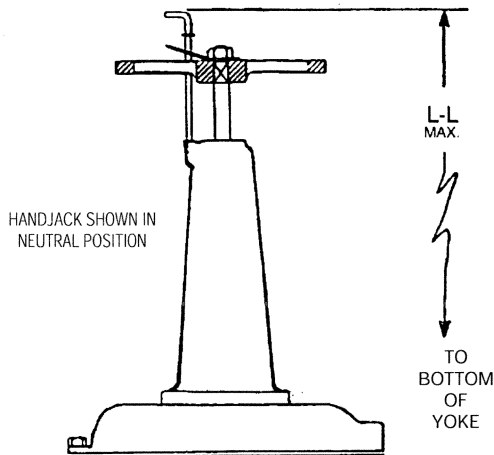
NOTE:

FOR ADDITIONAL DETAILS AND FULL PARTS LIST OF ACTUATORS, HAND OPERATING DEVICES AND TWO DIRECTIONAL HAND-JACKS SEE DRAWINGS:

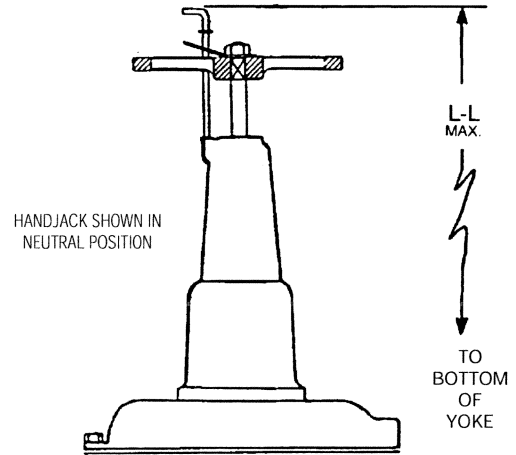
10/0.4.3 FOR DIRECT ACTING ACTUATORS

10/0.4.4 FOR REVERSE ACTING ACTUATORS

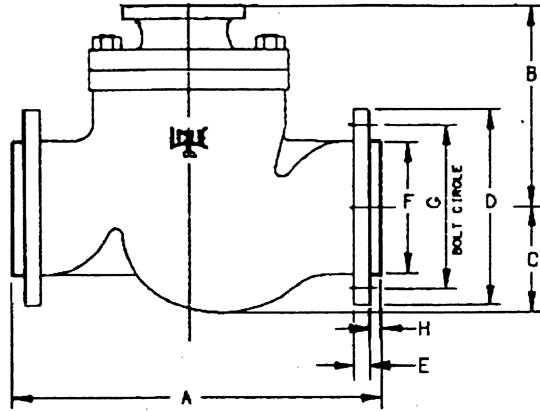
10/1.4.12 FOR 270 & 270R SIZE ACTUATORS



VIEW SHOWING SIZE 35(R), 55(R), & 85(R) TWO-DIRECTIONAL HANDJACK



VIEW SHOWING SIZE 135(R) TWO-DIRECTIONAL HANDJACK



EXTERNAL VIEW (USE FOR DIMENSIONAL PURPOSES ONLY)

DIMENSIONS IN MILLIMETERS											
Size	A	B	C	D	E	F	G	H	No. of Holes	Hole Size	Approx. Net Wt. kg*
DIN 2532 FLANGE STANDARD (CAST IRON) ND-10											
50	262.7	181	92.9	165	17	102	125	3	4	18	38.6
65	281	168.3	111.1	185	17	122	145	3	4	18	56.7
80	304.8	174.6	114.3	200	19	138	160	3	8	18	65.8
100	353.2	206.4	139.7	220	21	158	180	3	8	18	86.2
150	452.4	247.7	149	285	23	212	240	3	8	23	208.7
200	538.2	349.3	192	340	23	268	295	3	8	23	283.5
DIN 2533 FLANGE STANDARD (CAST IRON) ND-16											
50	262.7	181	92.9	165	17	102	125	3	4	18	38.6
65	281	168.3	111.1	185	17	122	145	3	4	18	56.7
80	304.8	174.6	114.3	200	19	138	160	3	8	18	65.8
100	353.2	206.4	139.7	220	21	158	180	3	8	18	86.2
150	452.4	247.7	149	285	23	212	240	3	8	23	208.7
200	546.1	349.3	192	340	27	268	295	3	12	23	283.5
DIN 2534 FLANGE STANDARD (CAST IRON) ND-25											
50	263	181	93	165	19	102	125	3	4	26	40.8
65	281	168	111	185	21	122	145	3	8	26	61.2
80	305	175	114	200	23	138	160	3	8	26	71.7
100	353	206	140	235	25	162	190	3	8	30	93.0
150	452	248	149	300	31	218	250	3	12	33	220.0
200	546	349.3	192	360	31	278	310	3	12	36	299.4

* APPROXIMATE NET WT. OF VALVE COMPLETE WITH STANDARD ACTUATOR (NOT INCLUDING H.O.D.)