

List of components
Valid for all pumps in sizes: AAA 015/020; Rotor diameter and generation N1 (015) & N2 (020)
With version codes: I } R } B } E } The version code is composed of the letters in the 4 columns
V }
Also valid for pump option A102
Example of pump designations std: AAA 015N1 IRBE
option: AAA 020N2 IVBE A102

PosNo	Denomination	Qty	Spare parts set:					Note
			G011 Rotor set CCW	G012 Rotor set CW	G050 Shaft seal	015N1 IxBE	020N2 IxBE	
G011	Rotor set CCW-rot.	1				obsolete	obsolete	
G012	" CW-rot	1				obsolete	obsolete	
G050	Shaft seal xRxx	1				116178	116186	
"	" xVxx	1				164640	164657	
101	Power rotor CCW	1	x					
102	Power rotor CW	1		x				
114	Pin	1	x	x		--		
115	Thrust washer	1	x	x		--		
201	Idler rotor CCW	2	x					
202	Idler rotor CW	2		x				
351	Balancing cover	1					--	1
359	Distance piece	1					--	
401	Pump body	1						
451	Screw	4				--		
453	Screw	4						
501E	Front cover	1				--		
506	Gasket	1				--	018408	
507	Washer	1			x	--		
509A	Bush	1			x			
509B	Sealing bush	1			x			
509C	Rubber ring xRxx	2			x	012203	012203	
509C	Rubber ring xVxx	2			x	012211	012211	
509D	Washer	2/4			x			
509E	Spring	1			x			
510	Gland washer	1			x			
510A	Gasket	1			x		--	
510A	O-ring	1			x	--		
515	Gland nut	1				031674	031674	
551	Rear cover	1						
556	Gasket	1				018358	018408	

Notes: 1) Included in item 401

Older versions

AAA 15-3 NA: (foot-mounted version)
All parts excl. front cover item 501 are applicable.

AAA 20-3 NA: (foot-mounted version)
All parts excl. pump body item 401, front cover item 501 are applicable.
G050 has to be completed with item 515.

AAA 20-3 NE/N2E:
When ordering new shaft seal the gland nut item 515 has to be ordered.

UAA IRBE (pump with NPT-thread connection)
All parts excl. pump body item 401 are applicable.

Explanations:

A102: Nonstandard rotation: CW (clockwise) (as CCW-rotation is standard)

G011: Rotor set CCW rotation (Standard)

G012: Rotor set CW rotation (Option)

G050: Shaft seal

G053: Minor kit, consisting of G050 + G057

G054: Major kit, consisting of G050, G057 + G011(G012)

G057: Joint kit; size 015 - item 556, size 020 - item 506 and 556

Old

AAA 15-3 NE

AAA 20-3 N2EX/102

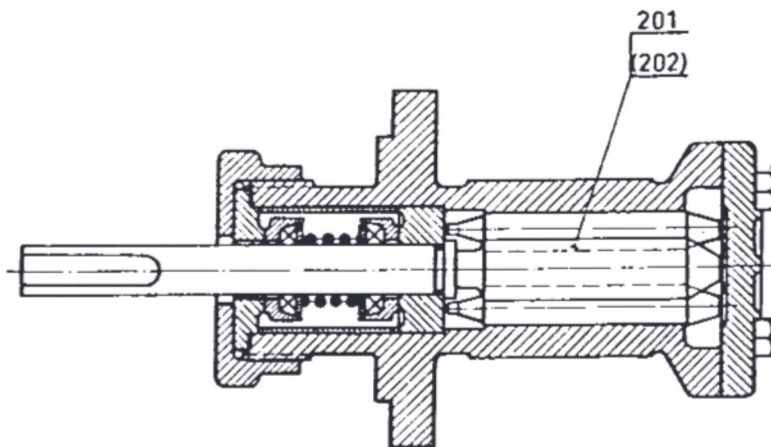
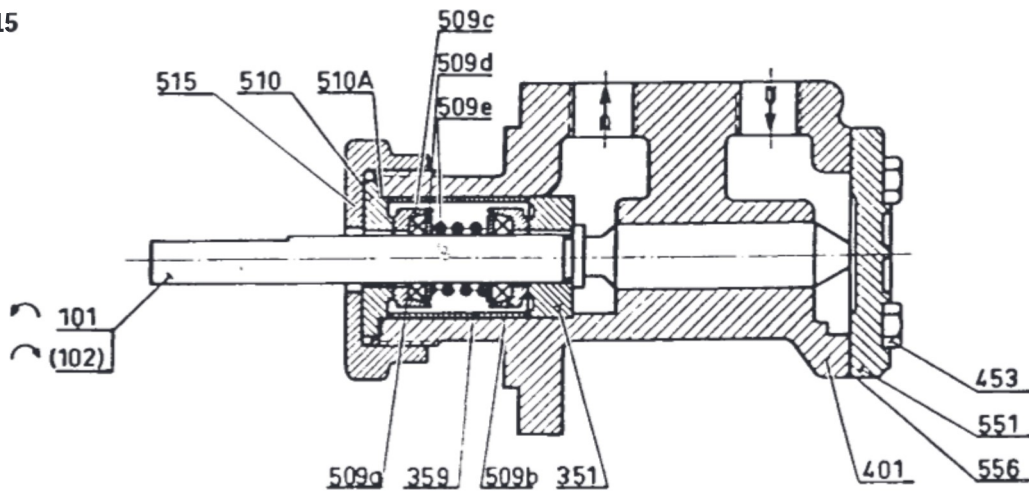
Current designations

AAA 015N1 IRBE

AAA 020N2 IRBE A102

Assembly drawing

Size 015



Size 020

