

List of components

Valid for all LPQ pumps, size 100/110/125/140. Rotor lead and Generation: J1/L1/N1/P1

With version codes: I } R } Y } P }
N } T }

Also valid for pump options A020, A382

Example of pump designations: LPQ 100N1 IRYP

Pos No	Denomination	Qty	Components included in Spare parts sets:					Note	
			G012	G050	G053	G057	G070		G090
1020	Power rotor	1	x					x	
113	Key	1	x						x
122	Ball bearing	1			x				x
123	Locking washer	1			x				x
124	Bearing nut	1			x				x
202	Idler rotor	2	x						x
301	Sleeve	1							x
302	Sleeve	1						x	1
306	Plug	1						x	2
308	Guide pin	2						x	1
314	Screw	1						x	1
314A	Washer	1						x	1
361	Screw	4						x	
361A	Washer	4							
362	Transport locking washer	1						x	5
401	Pump body	1							
425	Screw	4							
427	Tuning cover	2							
429	Spindle	2							
430	Tuning piston	2						x	
437	O-ring	2			x	x			
437A	Washer	4							
437B	Cup spring	8							
451	Screw	8							
453	Screw	12							
453A	Washer	12							
455	Screw	3							
455A	Washer	3							
462	Plug	2							
462A	T-ring	2							
463	Drain plug	1							
463A	T-ring	1							
501	Top cover	1							
506	O-ring	1			x	x			
509	Shaft seal	1	x	x				x	
520	Seal cover	1							
520A	O-ring	1			x	x			
521	Screw	8							
521A	Washer	8							
537	Deaeration plug	1							
537A	T-ring	1			x	x			
540	Ball	1							
541	Spring	1							
551	Foot	1							
556	O-ring	1							
601	Valve cover	1						x	
602	O-ring	1			x	x	x		
605	O-ring	1			x	x	x		
608	Valve spindle	1						x	
608A	Support ring	1						x	
608B	Retaining ring	1						x	
611	Washer	1						x	
611A	Washer	1						x	1
6120	Regulating nut	1						x	
613	Pin	1						x	
614	Valve piston	1						x	
615	Valve spring	1						x	
636	Damping bushing	1						x	
657	Spring	1						x	
658	Distance sleeve	1						x	
659	Locking nut	1						x	

Explanations:

A020: Surface-treated cast iron pump bodies.

A382: Pump for orimulsion with special ball bearing and hard metal shaft seal

G012: Rotor set CW-rotation (std)

G050: Shaft seal

G053: Minor kit

G057: Joint kit

G070: Valve element

G090: Pump element

Recommendation:

For maintenance the following spare part sets are recommended

Set To be used

G057 Joint kit

For dismantling

G053 Minor kit

For service

G090 Pump element

For repair after damage or greater wear

Ordering example:

For IMO-pump LPQ 125N1

IRYP

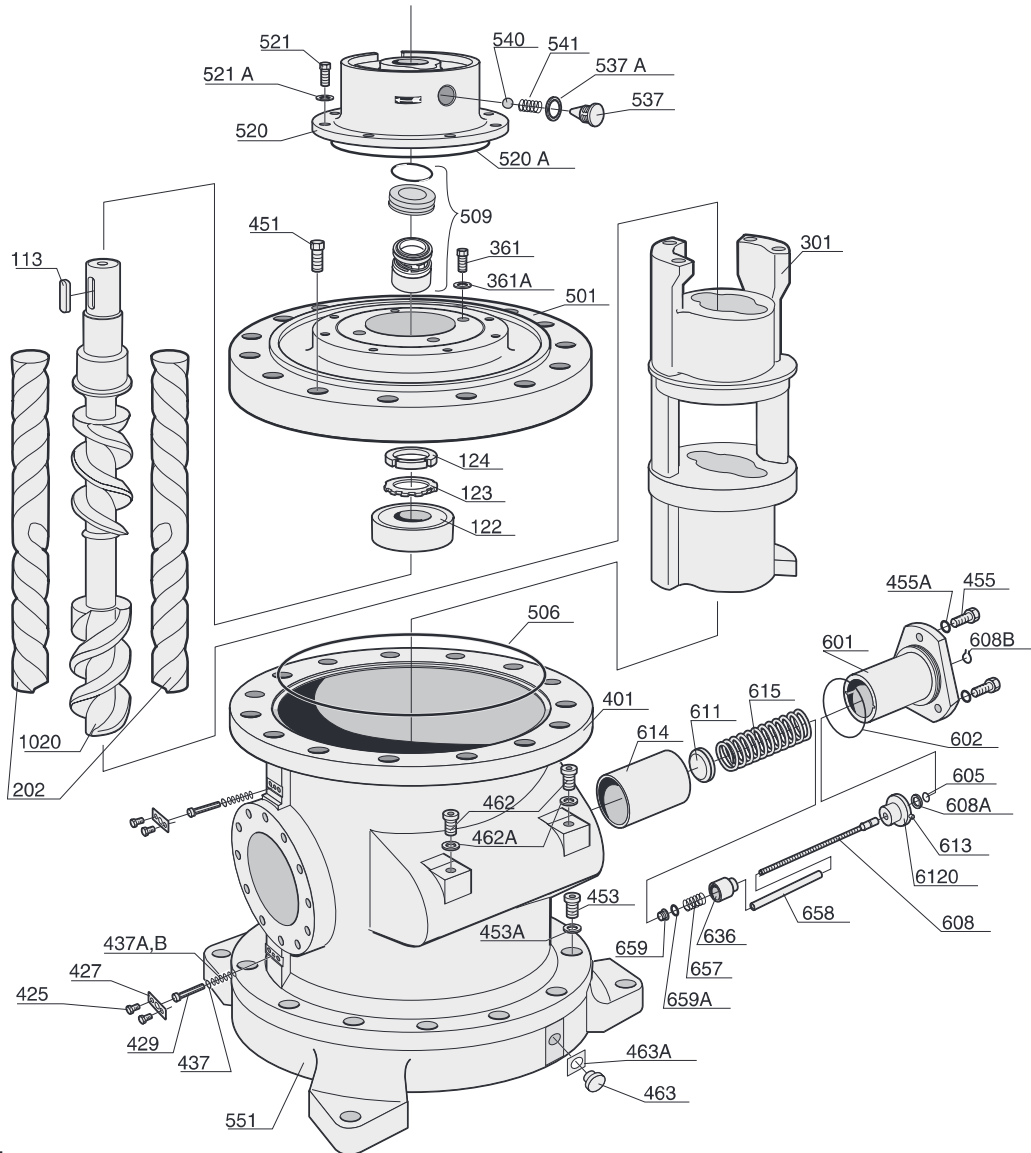
serial number 234567

Joint kit G057 p/n 189848

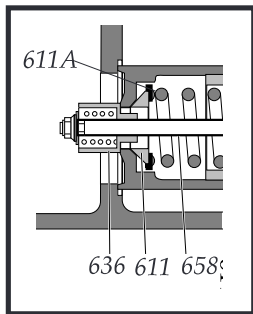
Notes:

- 1) Only for size 140
(See sectional view)
- 2) Valid for size 100-125
- 3) Not valid for A020
- 4) Not valid for A382

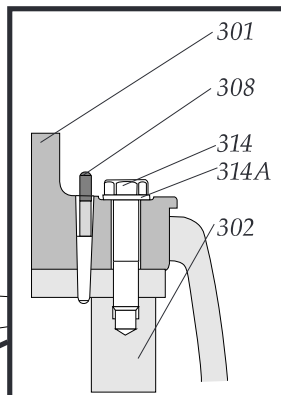
Exploded view
size 100-125



Differences in size 140



Valve element parts



Ordering code

Pos No	Spare parts (set)	Part numbers for pump size				Note
		100	110	125	140	
G012	Rotor set J-lead	--	--	189852	--	3
	" L-lead	--	188768	188815	--	3
	" N-lead	188813	188814	188816	189748	3
	" P-lead	--	--	--	189844	3
G050	Complete shaft seal xRxx	188530	188530	188530	188530	4
	" xTxx	189332	189332	189332	189332	
G053	Minor kit xTxx	193143	193143	193143	--	4
	" xRxx	189850	189850	189850	189851	
G057	Joint kit	189848	189848	189848	189849	
G070	Valve element	188808	188808	188808	189847	
G090	Pump element J-lead xRxx	--	--	189853	--	3,4
	" L-lead xRxx	--	188769	188811	--	3,4
	" N-lead xRxx	188809	188810	188812	189845	3,4
	" P-lead xRxx	--	--	--	189846	3,4
122	Ball bearing	188512	188512	188512	188512	
	" A382	190256	190256	190256	190256	
556	O-ring	188517	188517	188517	188517	

