

List of components

Valid for all E4 pumps, size 025/032/038/045/052/060/070. Rotor lead and Generation: K1/L1/N1/K4/L4/N4

With version codes: L } E } B } E } The version code is composed of the letters in the 4 columns

Y } R } J }

V } T }

Also valid for pump options A101, A141, A291, A337, A406

Example of pump designations std: E4 025L1 LRBE

option: E4052N4 YVJE A141

Pos No	Denomination	Qty	Spare parts set:					Mounting form			Note	
			G031 Bearing element	G050 Radial seal	G055 Joint kit	G101 Pump element	G102 Pump element	xxBE inlet chamber	xxJE G065	xxTE		
101	Power rotor CCW-rot	1				x						
102	Power rotor CW-rot	1						x				1
1030	Return valve	1				x	x					
113	Key	1				x	x					
122	Ball bearing	1	x			x	x					
124	Retaining ring	1	x			x	x					
124A	Support washer	1	x			x	x					
201	Idler rotor CCW-rot	2				x						
202	Idler rotor CW-rot	2						x				1
382	Screw	4									x	
401	Pump body	1				x	x		x			
423	O-ring	1										5
427	Split flange	2							x			5
427A	Weld stud	1							x			5
428	Screw	4							x			5
428A	Washer	4							x			5
451	Screw	4										
451A	Washer	4										
453	Screw	2/4							x	x		3
453A	Washer	4							x	x		7
455	Screw	2							x			4
463	Plug	1				x	x					
463A	T-ring	1										
489	Strainer	1							x	x		8,9
489A	Distance ring	1								x		2
491	Nut	1/2							x			6
501	Connecting frame	1										
506	Gasket	1			x							
509	Radial seal	1		x								
514	Retaining ring	1	x			x	x					
551	Inlet chamber	1				x	x	x				7
556	Gasket	1			x			x	x			7

E4 pumps consist of:

a pump element Gxxx + a inlet chamber G065 xx.

Notes:

1. CCW-rotation version pos no 101, 201
2. Valid for xxTE sizes 045
3. Valid for xxBE: 2 pieces and xxJE 4 pieces
4. Valid for xxBE
5. Valid for xxJE sizes 052-070
6. Valid for xxJE sizes 025-045: 2 pieces and sizes 052-060: 1 piece.
7. Valid for xxJE and xxBE
8. Valid for xxTE and xxJE
9. Excluded in pump option A406

Old/Current designations:

E4F 025N1	E4 025N1 LEBE
E4T 032L1	E4 032L1 LETE
E4V 038N1	E4 038N1 LEJE
E4F 045K1 A149	E4 045K1 YEBE
incl conn.frame	xRxx

Note: The radial seal is included in the conn.frame/front cover and not in the pump itself.
Therefore the pump element has the designation "E" in material code xExx.

Explanations:

Pump accessories

A101: Nonstandard rotation: CCW (counterclockwise) CW-rotation is standard)

A141: Pump with special flange (front cover) to replace ALA and B4 pumps.

A291: Pump with tapered power rotor. Reduced flow

A337: Combination of A101 + A141

A406: Pump without xxJx-strainer

E4 Medium pressure pump



Spare parts book
September 2016

Exploded view

Recommendation:
For maintenance
the following spare
part sets are recom-
mended

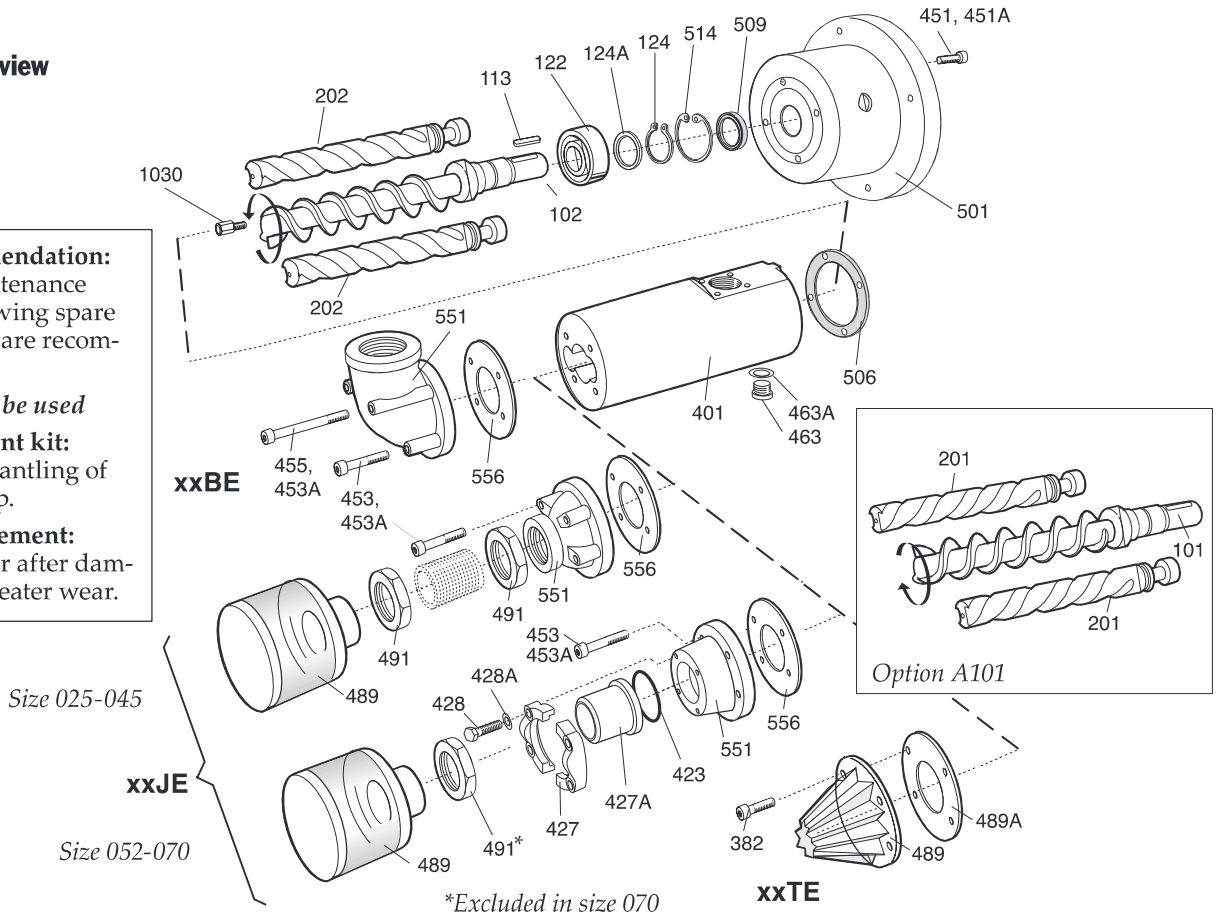
Set To be used

G055 Joint kit:

For dismantling of
the pump.

Pump element:

For repair after dam-
age or greater wear.



Ordering code

Pos No	Spare parts (set)	Part numbers for pump size							Note			
		025	032	038	045	052	060	070				
G031	Bearing element	144170	144170	144188	144188	144188	144196	144204				
G050	Radial seal	xRxx	128009	128009	107680	107680	107680	107680	107680			
	"	xVxx	188840	188840	173690	173690	173690	173690	173690			
G055	Joint kit	144212	144212	144212	144220	144238	144246	144253				
G102	Pump element	CW-rot.										
	E4 z1	LEBE	G102	K-lead	--	--	140533	140558	140574	141069	141085	3
	"	L-lead	140491	140517	--	--	--	--	--	--	--	3
	"	N-lead	140483	140509	140525	140541	140566	141051	141077	141077	3	
1030	Return valve	145607	145607	145615	145623	145623	145623	145623	145623			
122	Ball bearing	017103	017103	126581	126581	126581	017137	017194	017194			
124	Retaining ring	026963	026963	026997	026997	026997	026997	026997	026997			
124A	Support washer	136879	136879	105700	105700	105700	105700	105700	105700			
423	O-ring - inlet	K1, N1	--	--	--	--	016832	016865	016915			
	"	- outlet	--	--	--	--	016832	016832	016832			
	"	- inlet	K4, L4, N4	016758	016758	016782	016782	016832	--	--		
	"	- outlet	--	016733	016733	016733	016758	016782	--	--		
463A	Washer - T-ring	017848	017848	017848	017848	017848	017848	017848	017848			
489	Strainer	xxjx	018796	019034	019323	019711	019992	117382	131961	4		
	"	xxTx	126383	126383	126383	126383	127571	132852	129072			
506	Gasket	130476	130476	130476	130476	130609	130609	130609	130609			
514	Retaining ring	077495	077495	027177	027177	027177	027193	027219	027219			
556	Gasket	140004	140004	140004	140012	140020	140921	140939	140939			
Pump connections E4 z1/z4												
z1:	inlet connection	1	1	1	1	2	2	2				
	outlet connection	1	1	1	1	1	2	2				
z4:	inlet connection	2	2	2	2	2						
	outlet connection	2	2	2	2	2						

Notes: 1) BSP-threaded connection 2) SAE welded connection 3) Pump elements intended for pumps E4 K1/L1/N1 in forms LEBE, LRBE, LVBE, LEJE, LRJE, LVJE, LETE, LRTE, LVTE. These pump elements can also be used with above forms with pump option A141. Pump elements for other versions (z4 and Yxxx) and options (A101, A291 & A337), please contact IMO.