

List of components

Valid for all ACE pumps, size 025/032/038. Rotor lead and Generation: D3/K3/L3/N3

With version codes: N } Q } B } P }
T }
V }

Also valid for pump options: A050, A078, A101, A291

The version code is composed of the letters in the 4 columns.

Example of pump designations std: ACE 025L3 NTBP;

option: ACE 038N3 NVBP A101

Pos no	Denomination	Q-ty	Components included in spare parts sets:						Notes
			G011	G012	G050	G053	G057	G070	
1010	Power rotor	1	x						
1020	Power rotor	1		x					
113	Key	1	x	x					
122	Ball bearing	1	x	x		x			
125	Secondary seal	1			x	x	x	x	1,4
201	Idler rotor	2	x						
202	Idler rotor	2		x					
351	Balancing bush	1	x	x					
401	Pump body	1							
416	Suction flange	1							
417	Screw	8							
418	Gasket to suction flange	1				x	x		
423	Gasket to discharge flange	1				x	x		
427	Discharge flange	1							
440	Return valve	1							5
443	Seal chamber plug	1							3
443A	Tension pin	1							3
443B	O-ring	1							3
451	Screw	4							
453	Screw	4							
462	Plug	1							
462A	Sealing washer	1				x	x		
463	Plug	1							
463A	Sealing washer	1				x	x		
501	Front cover	1							
506	Gasket	1				x	x		
509	Shaft seal	1			x	x			
537	Deaeration plug	2							
537A	Washer	2				x	x		
551	Rear cover	1							
556	Gasket	1				x	x		
557	Plug	1							
557A	Washer	1				x	x		
605	O-ring	1				x	x	x	
608	Valve spindle	1						x	
608A	Tension pin	1						x	
6120	Set screw	1						x	
613	Pin	1						x	
614	Valve piston	1						x	
615	Valve spring	1						x	
7310	Compl. Seal Guard	1						x	2
732	Gas generator	1						x	2

Explanations:

- A050: Unpainted pump
- A078: Rubber details in nitrile (when viton is standard)
- A101: Pump with CCW-rotor set
- A291: Pump with tapered power rotor. Reduced flow
- G011: Rotor set (CCW)
- G012: Rotor set (CW)
- G050: Shaft seal
- G053: Minor kit
- G057: Joint kit
- G070: Valve element
- G082: Seal Guard kit

Notes:

- 1) Version NTBP and NQBP
- 2) Version NQBP only
- 3) For pumps manufactured before december 2000, these parts can be replaced by Plug, p/n 189429 and Washer, p/n 010967.
- 4) Excluded in xTxx A078
- 5) Removed from August 2011. Does not need to be replaced.

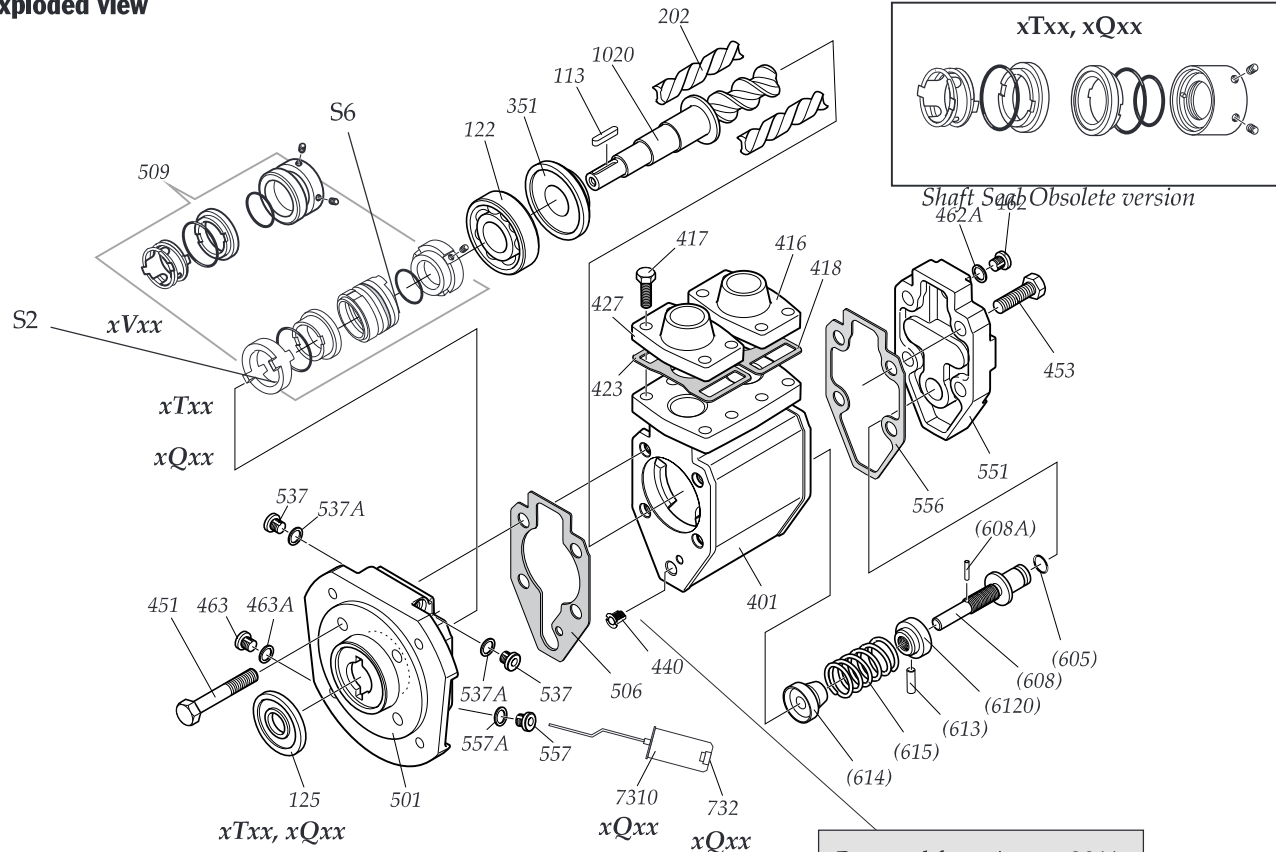
ACE (D3/K3/L3/N3) Low pressure pump

Obsolete ACE (L1/L2, K1/K2, N1/N2) See section D



Spare parts book
September 2016

Exploded view



Ordering code

Removed from August 2011

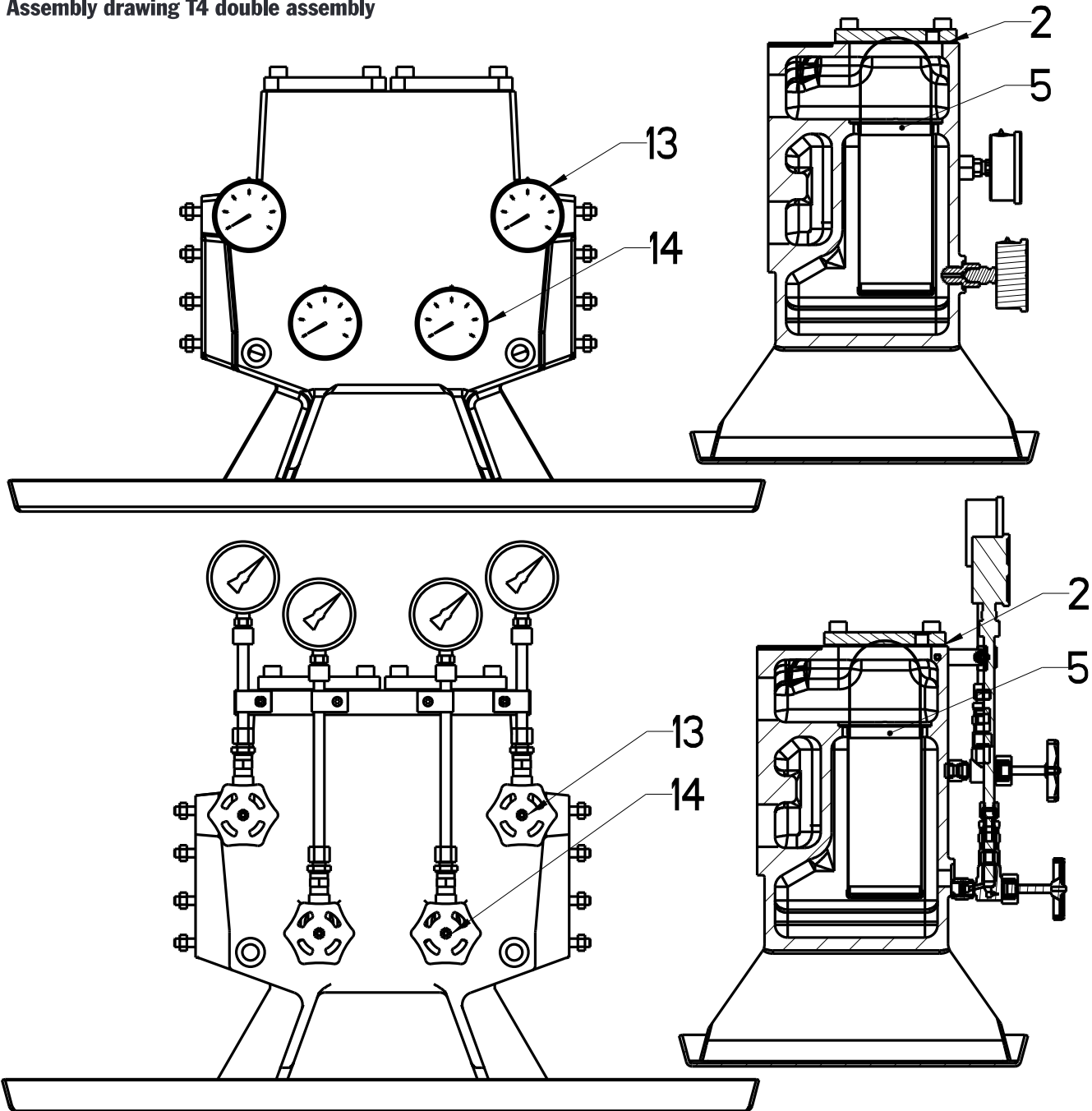
Pos No	Spare parts (set)	Part no for pump size			Note
		025	032	038	
Pump	ACE xxxL3	NVBP	189897	189892	--
	ACE xxxK3	NVBP	--	--	189886
	ACE xxxN3	NVBP	189686	189787	189788
	ACE 038D3	NVBP	--	--	190749
G011	Rotor set	K-lead CCW-rot	--	--	190489
	"	L-lead	190493	190490	--
	"	N-lead	190492	190491	190488
G012	Rotor set	K-lead CW-rot	--	--	190482
	"	L-lead	190486	190485	--
	"	N-lead	190487	190484	190483
	"	D-lead	--	--	192698
G050	Shaft seal	xQxx	190495	190495	190497
	"	xTxx	190495	190495	190497
	"	xTxx A078	191288	191288	191288
	"	xVxx	194030	194030	194030
G053	Minor kit	xQxx	190503	190712	190499
	"	xTxx	190503	190712	190499
	"	xVxx	190501	190710	190500
G057	Joint kit	xQxx	190524	190713	190523
	"	xTxx	190524	190713	190523
	"	xVxx	190525	190714	190522
G070	Valve element		189873	189873	189873
	"	A078	191291	191291	191291
G082	Sealguard kit	xQxx	190526	190526	190527
122	Ball bearing		173765	173765	173591
125	Secondary seal	xQxx, xTxx	190469	190469	190468
351	Balancing bush		189701	189701	189778
5010	Front cover		189692	189692	189775
732	Gas generator	xQxx	190530	190530	190530
82	O-ring	xQxx, xTxx	101514	101514	101514

Recommendation:
For maintenance the following spare part sets are recommended:
Set: To be used:
G057 Joint kit
For dismantling the pump.
G053 Minor kit
For service.
Major kit = pump
For repair after damage or greater wear.

Ordering example:
For IMO-pump ACE 032N3 NVBP, serial number 690010:
Shaft seal pos G050 p/n 194030
Valve element pos G070 p/n 189873

Notes:
1) Not valid for A078
2) Not valid for A291

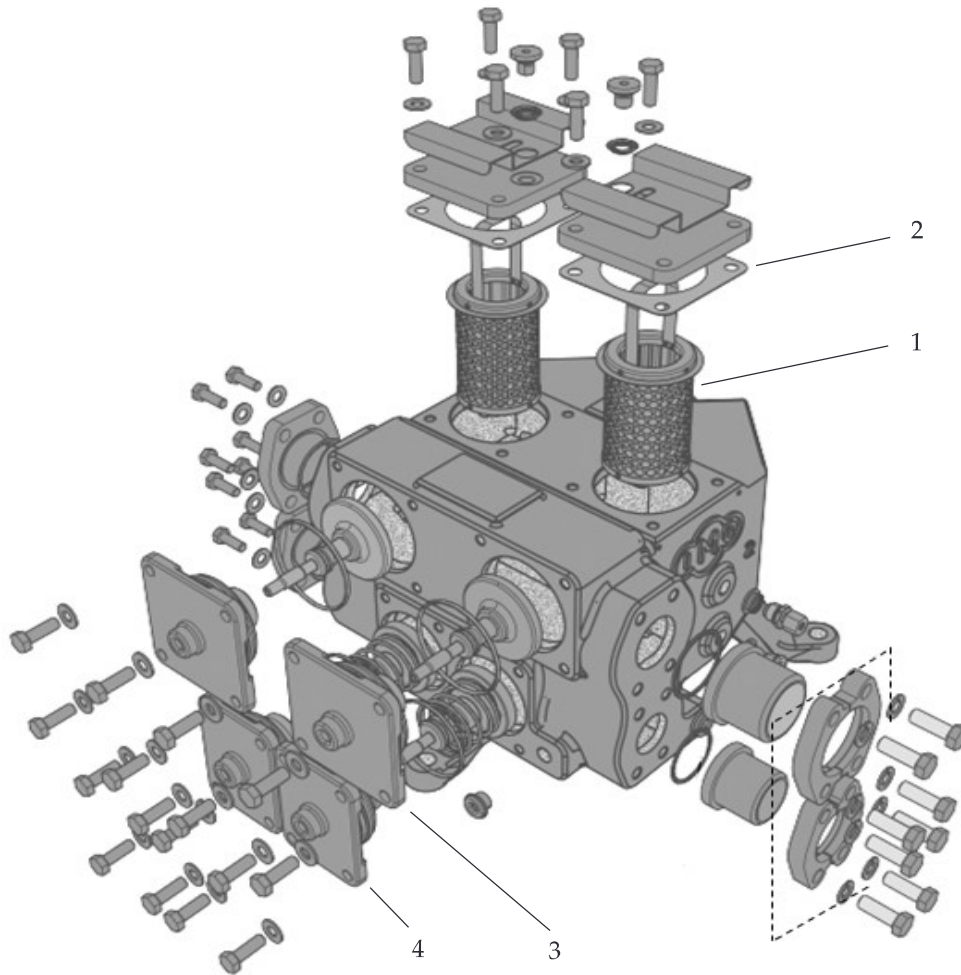
Assembly drawing T4 double assembly



Ordering code

For double assembly T4					
Pos No	Description	p/n	Included in	Scale	Note
2	Joint	160929			
5	Strainer, 2 pcs dbl unit	160937	Q1xx		steel mesh without magnetic core 500 my
"	"	172866	Q2xx		steel mesh with magnetic core 200 my
"	"	161885	Q3xx		steel mesh with magnetic core 500 my
"	"	189935	Q4xx		steel mesh without magnetic core 300 my
13	Inlet gauge	160960	Qx1x	bar-kPa	-1/+9 bar, Ø 63 mm, hor. connection, not for new sales
"	"	160960	Qx2x	"	-1/+9 bar, Ø 63 mm, hor. connection, not for new sales
"	"	189585	Qx6x	"	-1/+5 bar, Ø 63 mm, vert. connection
"	"	189586	Qx8x	"	-1/+9 bar, Ø 63 mm, vertical connection
14	Outlet gauge	172346	Qx1x	bar-MPa	0/+10 bar, Ø 63 mm, hor. connection, not for new sales
"	"	160952	Qx2x	"	0/+25 bar, Ø 63 mm, hor. connection, not for new sales
"	"	189587	Ox6x	"	0/+10 bar, Ø 63 mm, vert. connection

Assembly drawing T5 double assembly



Ordering code

For double assembly T5			
Pos No	Spare Parts (set)	Part no	Note
1	Strainer	192375	Two strainers / each double assembly
2	Gasket	160929	Two gaskets / each double assembly
3	Compl. inlet valve	192350	Two compl. inlet valves / each double assembly
4	Compl. outlet valve	192355	Two compl. outlet valves / each double assembly