

**List of components**

Valid for all ACD pumps, size 025. Rotor lead and Generation: L6/N6

With version codes: I } R } B } P }

N } T }

V }

The version code is composed of the letters in  
the 4 columns.

Example of pump designations std: ACD 025L6 NVBP

Pos No	Denomination	Qty	G012 Rotor set	G050 Shaft seal	G053 Minor kit	G057 Joint kit	Parts valid for obsolete pumps			Note
							N3F	N4F	N5F	
1020	Power rotor	1	x				x	x	x	1
134	Locking screw	1	x		x	x	x	x	x	
162	Nylon sleeve socket	1	x		x	x	x	x	x	
202	Idler rotor	2	x				x	x	x	1
401	Pump body	1							x	
416	Inlet flange	1					x	x	x	
417	Screw	8						x	x	
417A	Nut	8						x	x	
418	Gasket	1			x	x	x	x	x	
423	Gasket	1			x	x	x	x	x	
427	Outlet flange	1					x	x	x	
443	Drip nipple	1					x	x	x	
451	Screw	8						x	x	
501	Front cover	1								
506	O-ring alt. gasket	1			x	x		x	x	2
509	Shaft seal	1		x	x					3
551	Rear cover	1						x	x	
556	Gasket	1			x	x		x	x	
601	Valve cover	1							x	
602	Sealing washer	1			x	x	x	x	x	
605	O-ring	1			x	x	x	x	x	
612	Regulating screw	1							x	
612A	Retaining ring	1							x	
614	Valve piston	1							x	
615	Valve spring	1					x	x	x	

**Notes:**

1) Delivered only as Rotor set G012.

When ordering spare parts, please state the complete pump identification according to its name plate and required spare part set or the required parts position number.

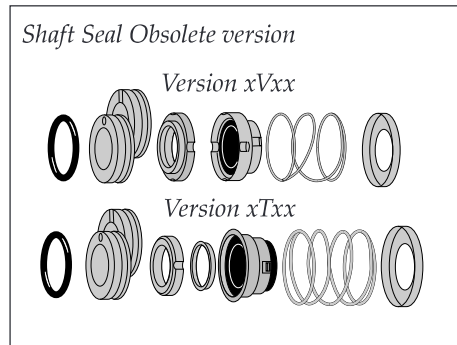
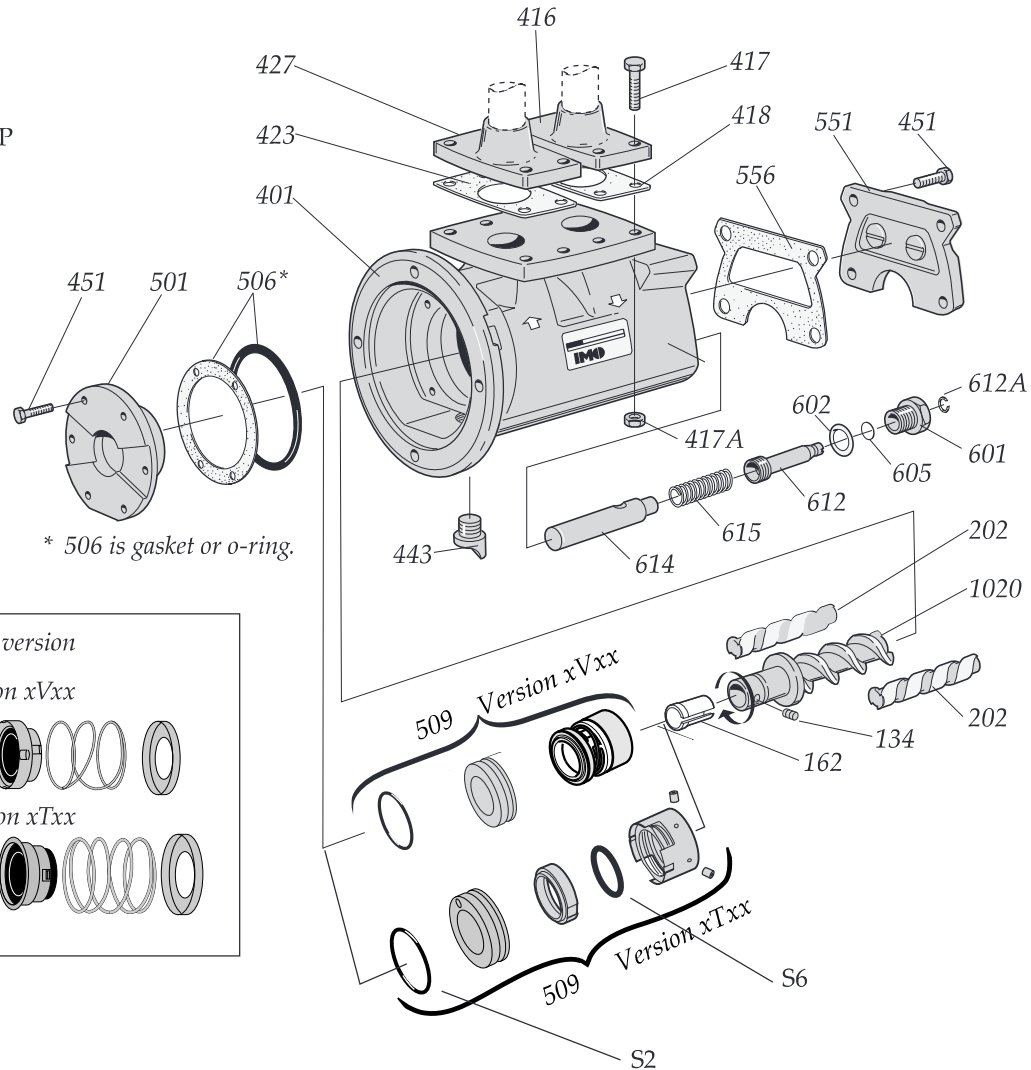
2) The spare part set includes both O-ring and gasket. The o-ring is to be used in the L6/N6 version with o-ring. The gasket is to be used in the version with gasket. *Never fit both o-ring and gasket in one pump!*  
Change from gasket to o-ring was done in early 1996.

3) Shaft seal p/n 015701, for obsolete pumps N3F, N4F &amp; N5F is obsolete.

N3F, N4F &amp; N5F: Please order a new pump x6 NxBP which has same technical data and measurement.

## Exploded view

ACD 025x6 xxBP



## Ordering code

Pos No	Spare parts (set)		Part.No. Size 025	Note
Pump	ACD 025L6	NVBP	182006	
"	ACD 025N6	NVBP	181990	
G012	Rotor set	L-lead	062893	1
"	"	N-lead	062885	1
G050	Shaft seal	xTxx	190810	
"	"	xVxx	192691	4
G053	Minor kit	xTxx	192202	
"	"	xVxx	192203	4
G057	Joint kit		183681	4
443	Drip nipple		018515	1
501	Front cover	Nxxx	166983	
506	O-ring	(current version)	016790	
	Gasket	(old version)	091900	1
612	Regulating screw		117077	3
614	Valve piston		117093	3
615	Valve spring		018523	1
S2	O-ring	xTxx	190806	
S6	O-ring	xTxx	190791	

### Recommendation:

For maintenance the following spare part sets are recommended:

#### Set: To be used:

#### G057 Joint kit

For dismantling of the pump.

#### G053 Minor kit

For service

#### Major kit = pump

For repair after damage or greater wear.

### Ordering example:

For IMO-pump ACD 025L6 IVBP  
serial number 456789:  
Shaft seal pos G050 p/n 192691  
Valve spring pos 615 p/n 018523

### Notes:

- 1) Also valid for obsolete pumps N3F, N4F & N5F.
- 2) Also valid for obsolete pump N4F & N5F.
- 3) Also valid for obsolete pump N5F.
- 4) Also used for old pumps xRxx if viton is acceptable.