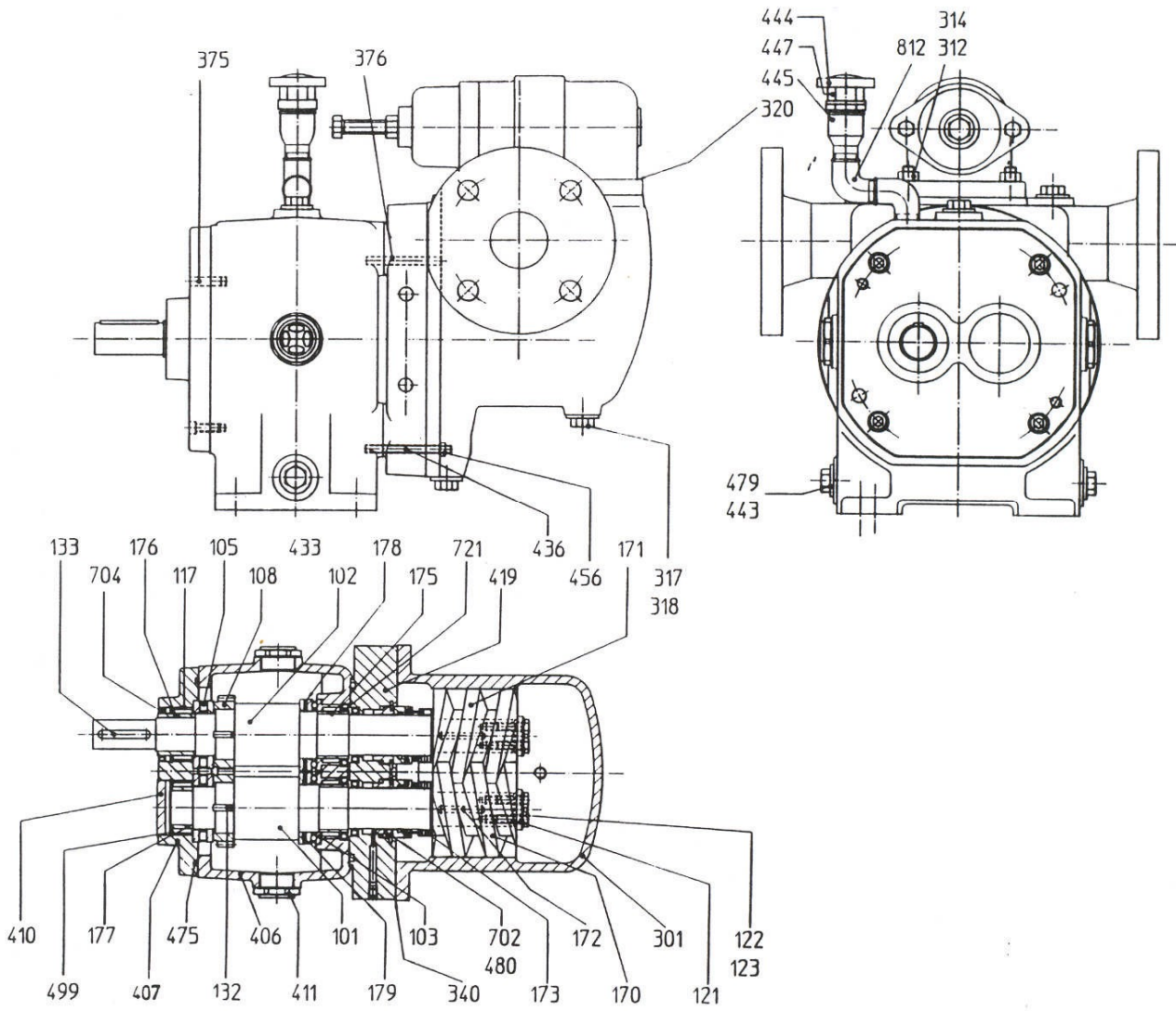


Sectional drawing Series 136.20



**Part No. Description**

**Part No. Description**

**Part No. Description**

- 101 Short screw shaft
- 102 Long screw shaft
- 103 Combined needle / grove ball bearing
- 105 Cylinder roller bearing
- 108 Gear wheel
- 117 Needle bearing
- 121 Disk
- 122 Locking plate
- 123 Hexagonal screw
- 132 Key
- 133 Key
- 170 Screw,clockwise rotating
- 171 Screw,counterclockwise rotating
- 172 Key
- 173 Spacing ring
- 175 Inner ring
- 176 Inner ring

- 177 Inner ring
- 178 Cup spring
- 179 Support ring
- 301 Pump casing
- 312 Stud
- 314 Nut
- 317 Screw plug
- 318 Joint washer
- 320 Gasket
- 340 Gasket
- 375 Fitted pin
- 376 Fitted pin
- 406 Gearbox
- 407 Cover
- 410 Ball bearing cover
- 411 Glass
- 419 Ball bearing cover

- 433 Socket head cap screw
- 436 Stud
- 443 Screw plug
- 444 Venting
- 445 Reducing socket
- 447 Reducing ring
- 456 Hexagonal nut
- 475 O-ring
- 479 Joint washer
- 480 Anti-rotation pin for 702
- 499 Locking ring
- 702 Mechanical seal
- 704 Lipseal
- 721 Lipseal
- 812 Bend