



F SERIES

Tee Filters (Ported)

(DN 15, DN 25, DN 40, DN 50)



YOUR CREATIVE ENGINEERING PARTNER

F SERIES

Tee Filters (Ported)

The F Series are a range of high-pressure Tee Filters for gas applications. The range offers low pressure drop with high flow rates and through the 'Tee' configuration, are easily maintainable / serviceable.

The F Series utilises Filter Elements constructed from five layers of precision Stainless Steel Mesh, layered to provide a high collapse pressure and be physically robust to maintain an accurate pore size.

Differential sensing ports are available to monitor the filter condition.

HIGHLIGHTS

- > Conforms to Pressure Equipment Directive 2014/68/EU (PED).
- > Stainless Steel construction prolongs durability.
- > Five Layer, Sintered Stainless Steel Mesh Elements.

IDEAL USES

- > Pressure Reduction Systems.
- > Combustion Testing & Test Bench Applications.
- > High Pressure, High Flow Gas Systems.
- > Upstream of Hale Hamilton's DR / RH Series Pressure Regulators.



TEE FILTER (PORTED)

Maximum
Working
Pressure:
420
barg
(6090 psig)

10,20
and **40**
Micron filter
options
available

Features and Specifications

1. Differential Sensing Options

Allows for the pressure drop across the element to be measured.

2. Connection Options

Inlet and Outlet available with ISO(G) or NPT Port Connections.

3. Materials

Construction from a Stainless Steel (316) Housing.

4. Maintenance

'Tee' Configuration makes for ease of service and maintenance activities. The filter element can be replaced easily after their service life.



Product Specification Data

F Series - Tee Filters	
Sizes	F15 : 1/2" (DN15) F25 : 1" (DN25) F40 : 1-1/2" (DN40) F50 : 2" (DN50)
Connections	ISO(G) NPT
Filtration Levels	10 Microns 20 Microns 40 Microns
Working Pressure	420 barg (6090 psig)
Filter Cv	F15: 2.0 F25: 7.5 F40: 18 F50: 40
Housing Material	Stainless Steel 316L
Filter Element Material	Sintered Stainless Steel Mesh/Pleated
Seal Material	HNBR (Standard) EPDM & FKM Available
Service Temperature Range (HNBR)	-40°C to +80°C
Service Temperature Range (FKM)	-20°C to +150°C*
Service Temperature Range (EPDM)	-20°C to +150°C*
Note*	Working pressure may be reduced at higher temperatures, please contact sales@halehamilton.com for further information

** : Pleated element not available in DN15

Enquiries and Orders

Your F Series Filtration Assemblies can be selected in full using the ordering system set out below.

Alternatively, you can contact Hale Hamilton sales at (sales@halehamilton.com) with information on materials, pressures, flow rates, connection types and the application.

Our Sales Team will be happy to help you.



Filter	Filter Type	Series (Nominal Size)	Port Type (Inlet)	Port Type (Outlet)	Micron Rating	Elastomer Type (O-Ring, Bonded Seal)	Special Cleaning	Special Feature
Mandatory	Mandatory	Mandatory	Mandatory	Mandatory	Mandatory	Mandatory	Omit If Not Used	Omit If Not Used
'F' - Filter	'S' - Sintered Mesh Stainless Steel Element	'15' - 1/2" (DN15)	'1' - ISO(G)	'1' - ISO(G)	'10' - 10 Micron	'H' - HNBR	'1' - Commercial Clean	'XXX' - Special Features (Deferential sensing, Alternative materials etc.) (New codes allocated on client request)
		'25' - 1" (DN25)	'2' - NPT	'2' - NPT	'20' - 20 Micron	'F' - FKM (Viton)	'2' - Special Clean*	
		'40' - 1-1/2" (DN40)			'40' - 40 Micron	'E' - EPDM		
		'50' - 2" (DN50)						

*Please contact us for any special clean requirements

Connections & Configurations



F15 - Tee Filter

- > 1/2" (DN15)
- > 10/20/40 Micron Filtration
- > Cv: 2.0
- > 2.4 kg
- > ISO(G) / NPT



F25 - Tee Filter

- > 1" (DN25)
- > 10/20/40 Micron Filtration
- > Cv: 7.5
- > 5.9 - 6.4 kg
- > ISO(G) / NPT



F40 - Tee Filter

- > 1 1/2" (DN40)
- > 10/20/40 Micron Filtration
- > Cv: 18.0
- > 14 kg
- > ISO(G) / NPT

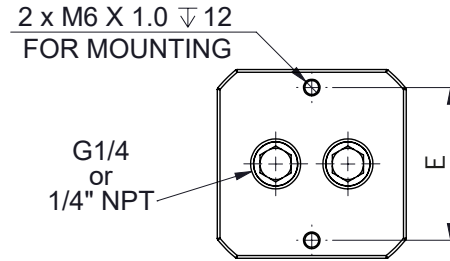


F50 - Tee Filter

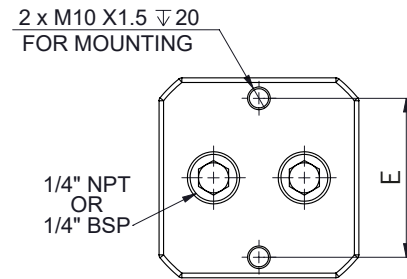
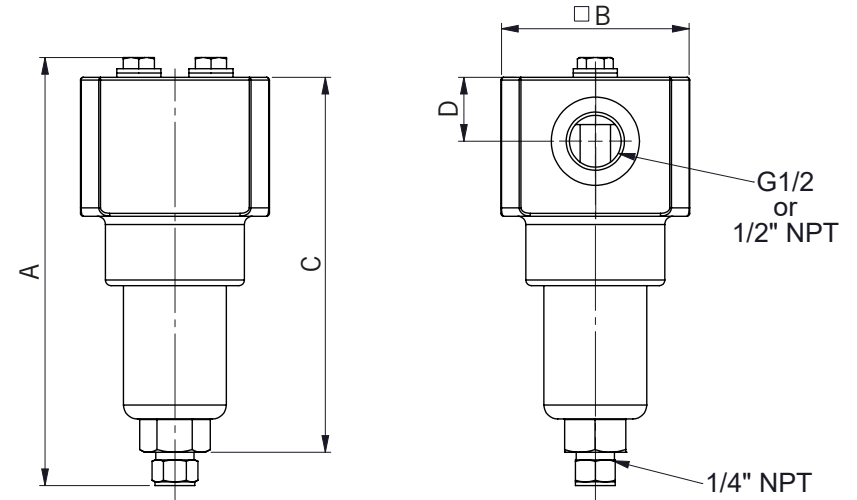
- > 2" (DN50)
- > 10/20/40 Micron Filtration
- > Cv: 40.0
- > 43 kg
- > ISO(G) / NPT

Ordering Information & Installation Dimensions

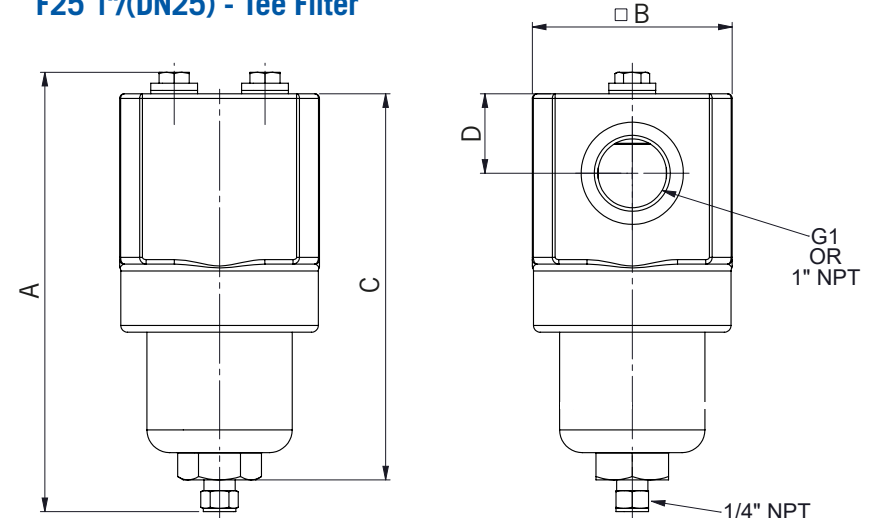
All Dimensions in mm.



F15 1/2"/(DN15) - Tee Filter



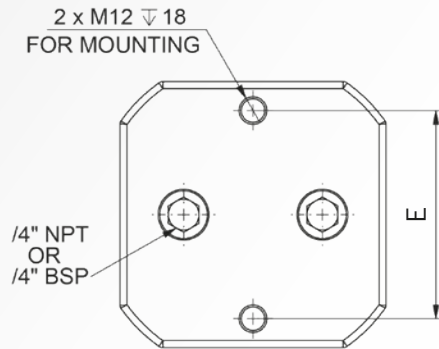
F25 1"/(DN25) - Tee Filter



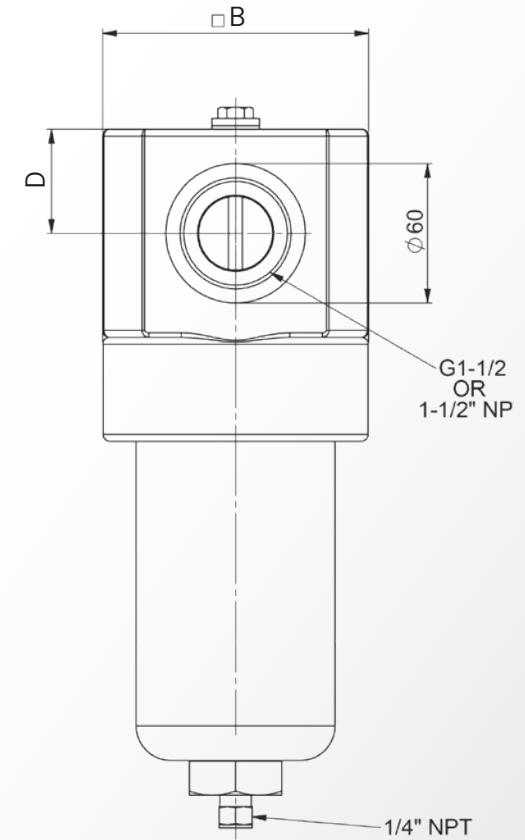
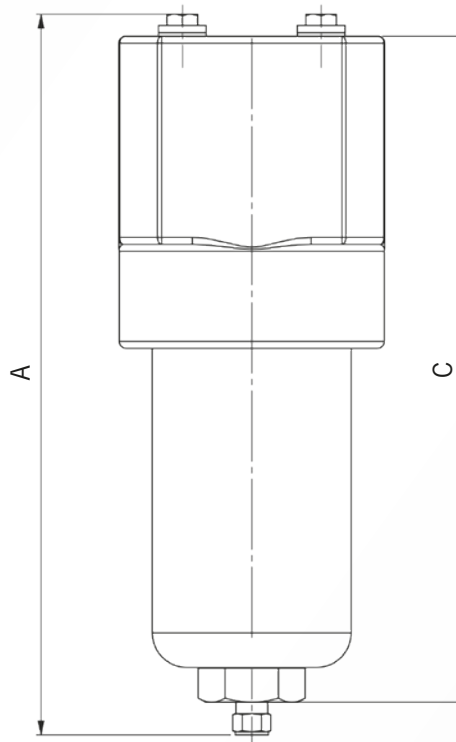
F Series	Dimensions					Weight (kg)	Z - Port Size	
	A	B	C	D	E		Inlet G/NPT	Outlet G/NPT
F15	159	68	135	23	55	2.4	1/2"	1/2"
F25	195	88	170	35	70	5.9 - 6.4	1"	1"

Ordering Information & Installation Dimensions

All Dimensions in mm.



F40



F Series	Dimensions					Weight (kg)	Z - Port Size	
	A	B	C	D	E		Inlet G/NPT	Outlet G/NPT
F40	316	115	288	45	90	14	1-1/2"	1-1/2"
F50	540	148	514	55	120	43	2"	2"